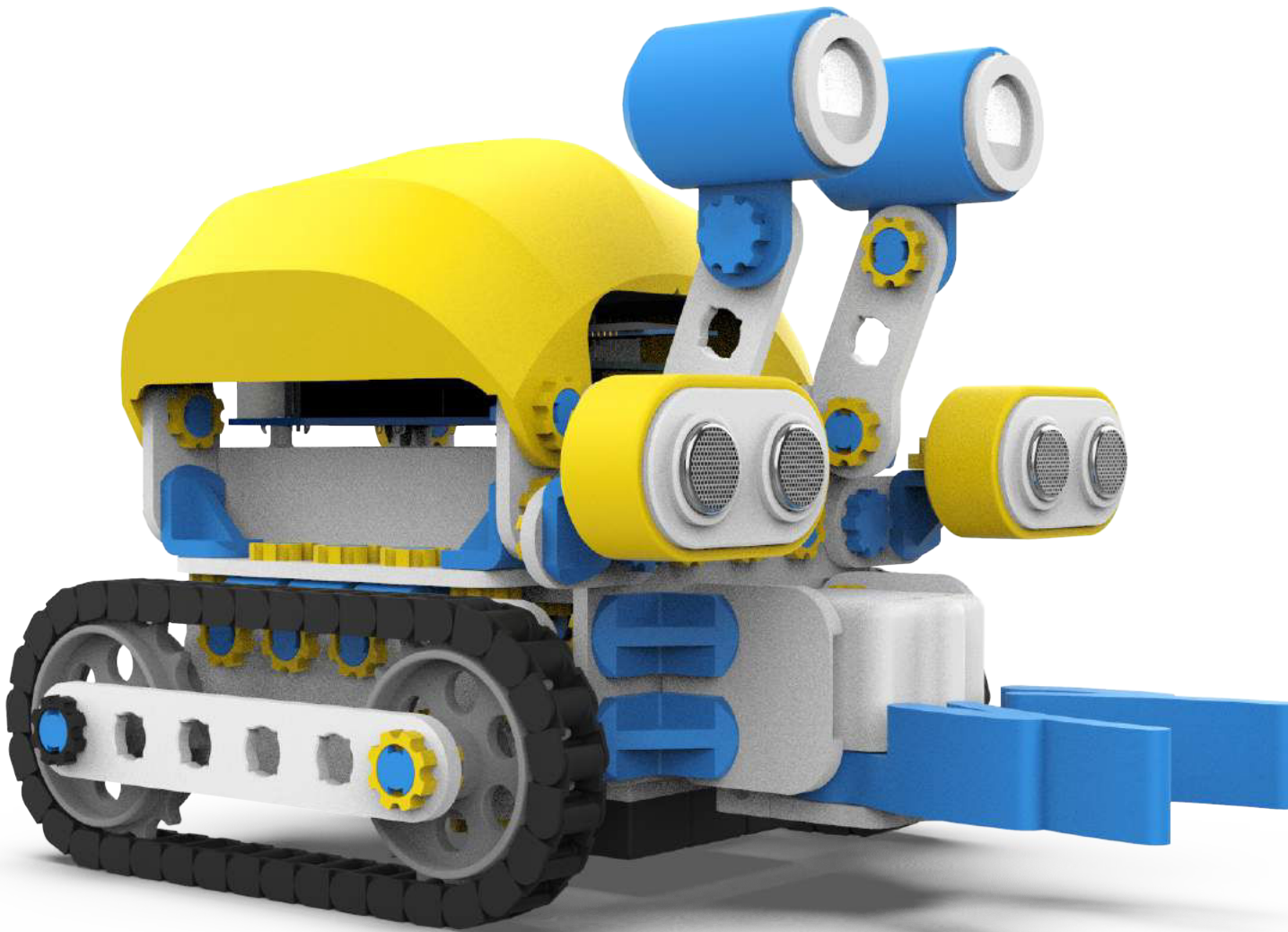





# SKRIWARE

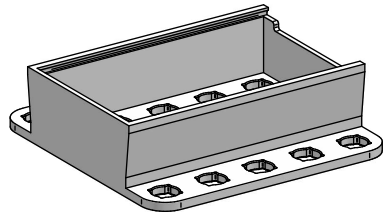


HELLO, I'M SKRIBOT

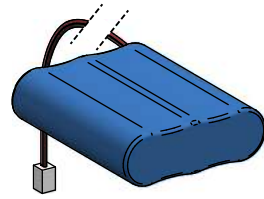


# Partslist

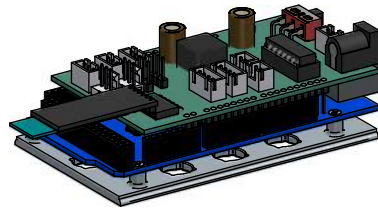
Before assembling your Skribot, make sure you have all of the parts ready 



1x Battery pack



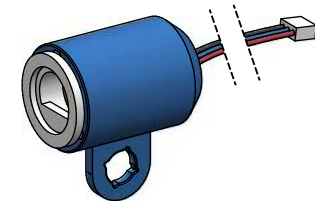
1x Battery



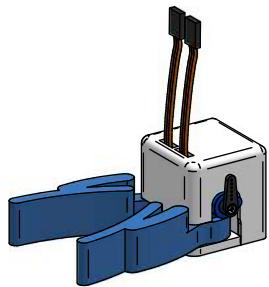
1x Skibrain



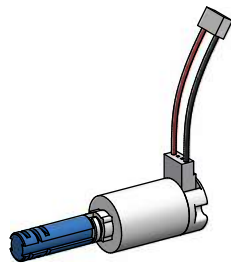
2x Distance sensor



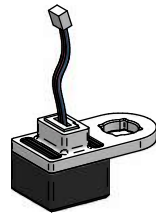
2x LED eye



1x Gripper



2x Motor



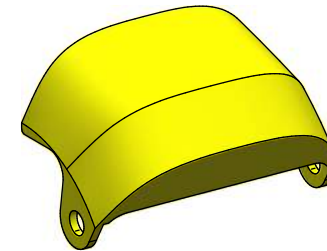
3x Contrast sensor



2x Drive wheel



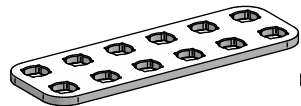
2x Passive wheel



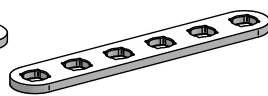
2x Shell



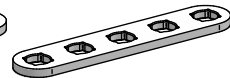
1x 4x5 Plate



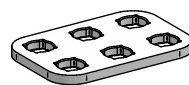
2x 4x5 Plate



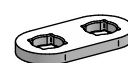
2x 1x6 Plate



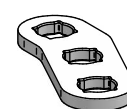
1x 1x5 Plate



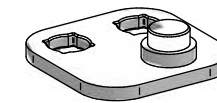
1x 2x3 Plate



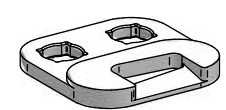
6x 1x2 Plate



2x 1x3 Curved Plate



1x Gripper bracket A



1x Gripper bracket B



2x L10 Bolt



10x L3 Rigid Bolt



4x L3 Rotating Bolt



23x Bracket



75x Nut



2x Drive wheel Nut



75x Track



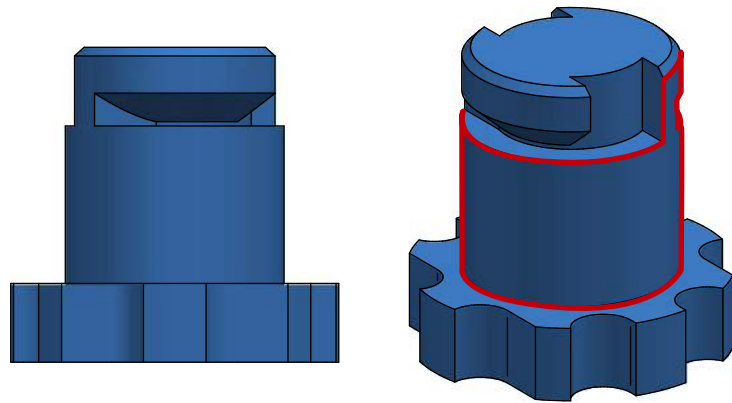
4x Spacer



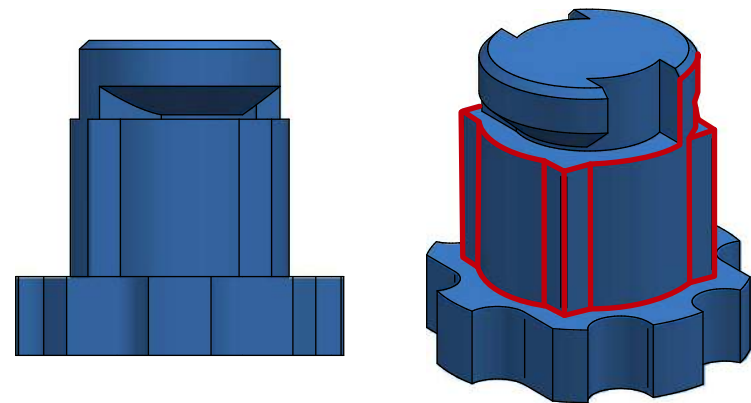
1x Wrench



1x Socket wrench



L3 Rotating Bolt



L3 Rigid Bolt



Make sure the nuts are oriented the correct way

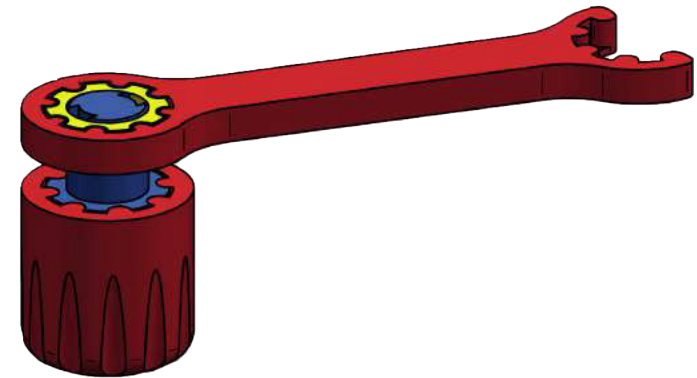
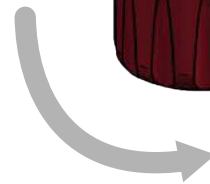
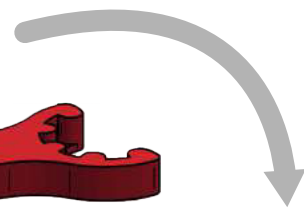
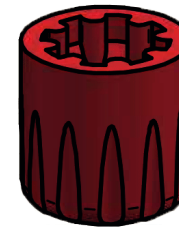
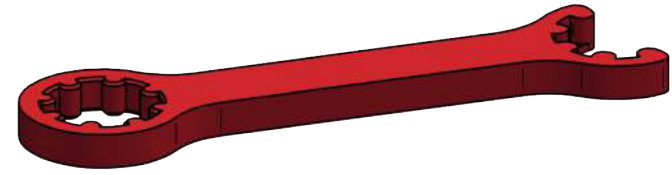


Wrong

Correct

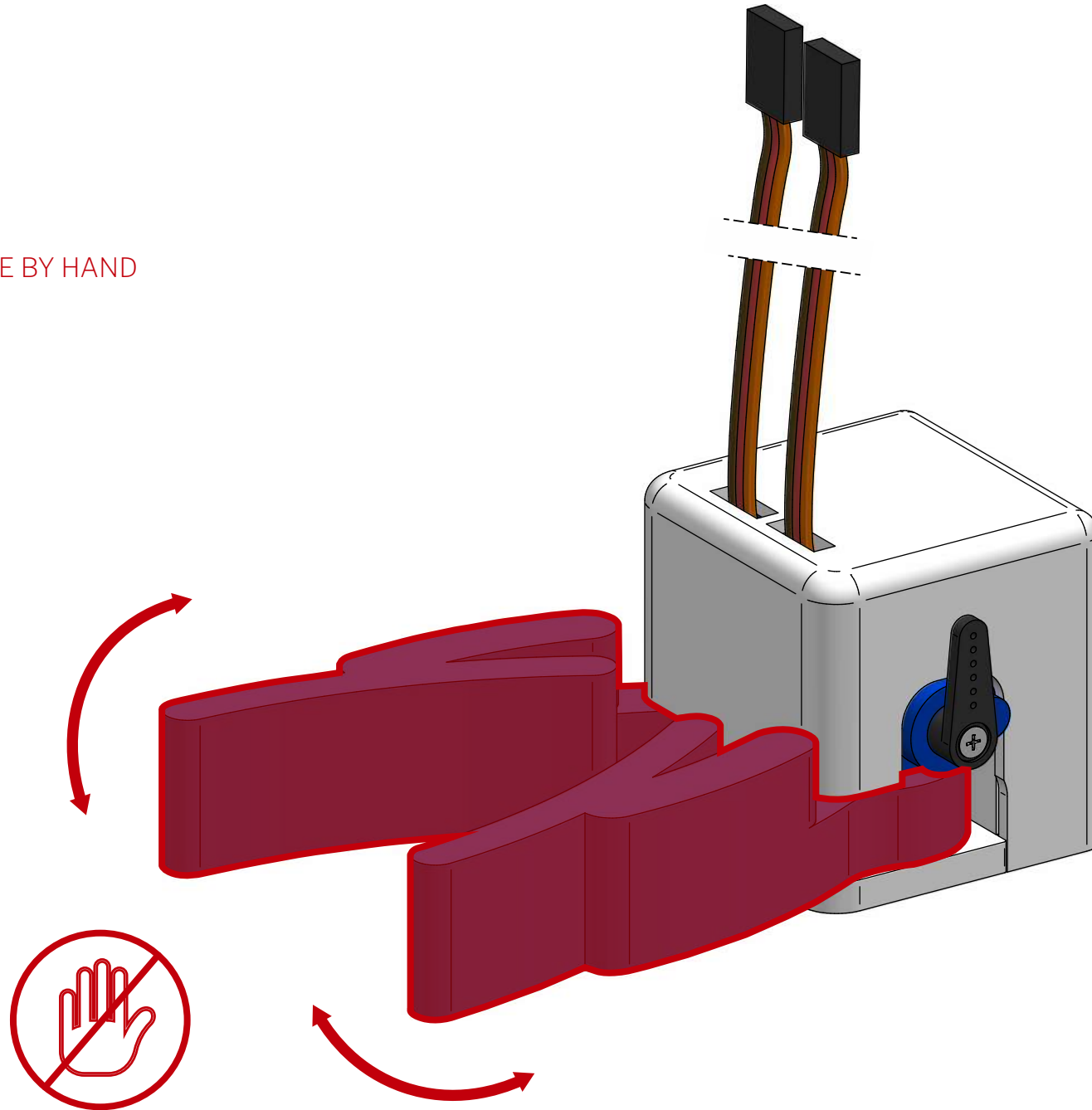


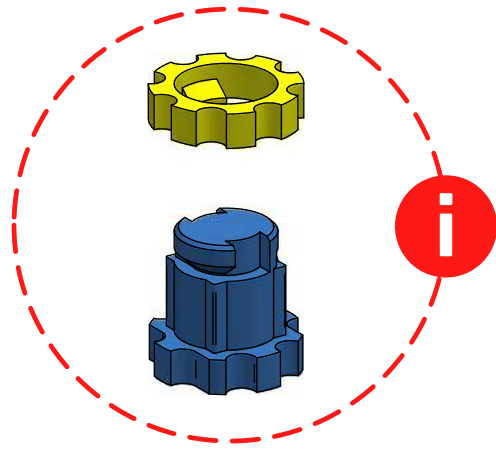
Result



**CAUTION!**

DO NOT OPEN OR CLOSE BY HAND

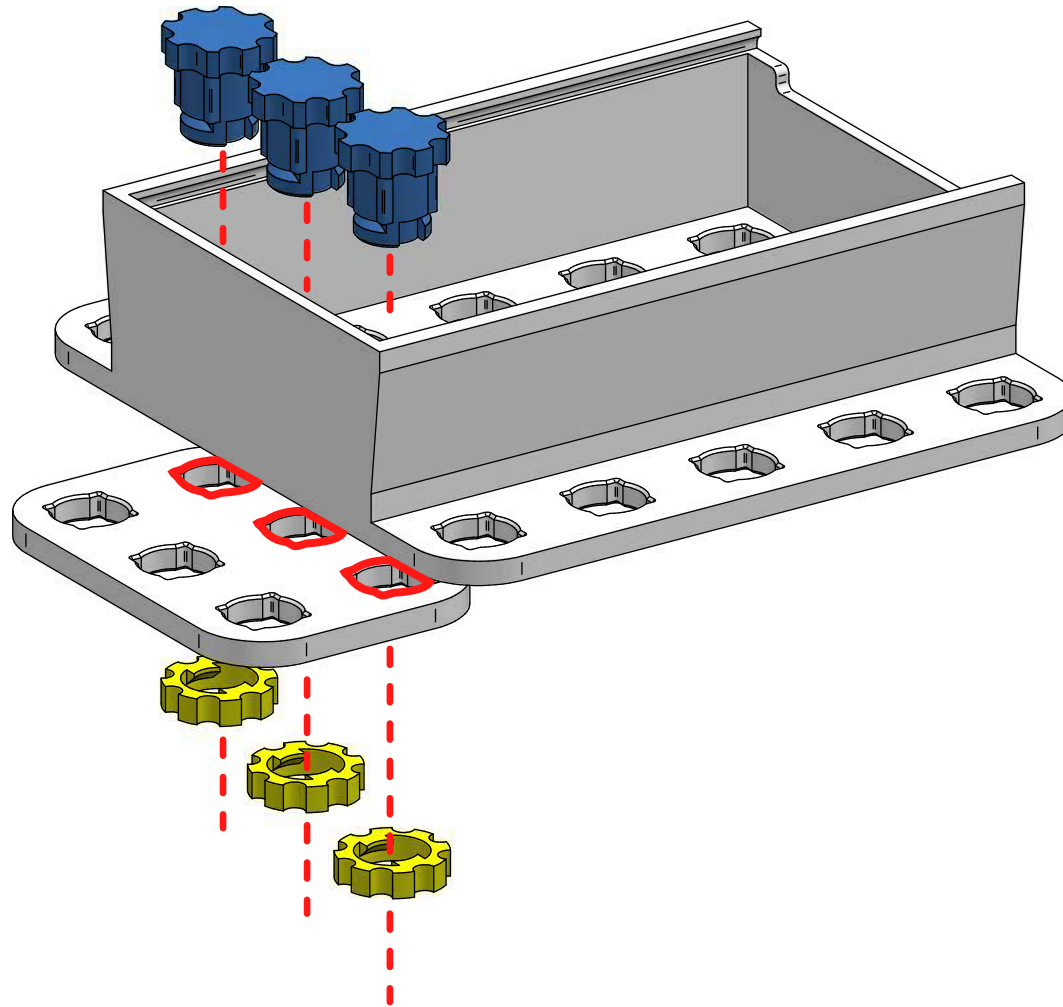




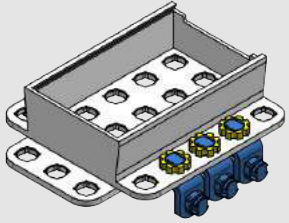
Mind the correct orientation  
of the yellow nut

3x      3x  
L3 Rigid Bolt

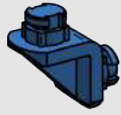
1



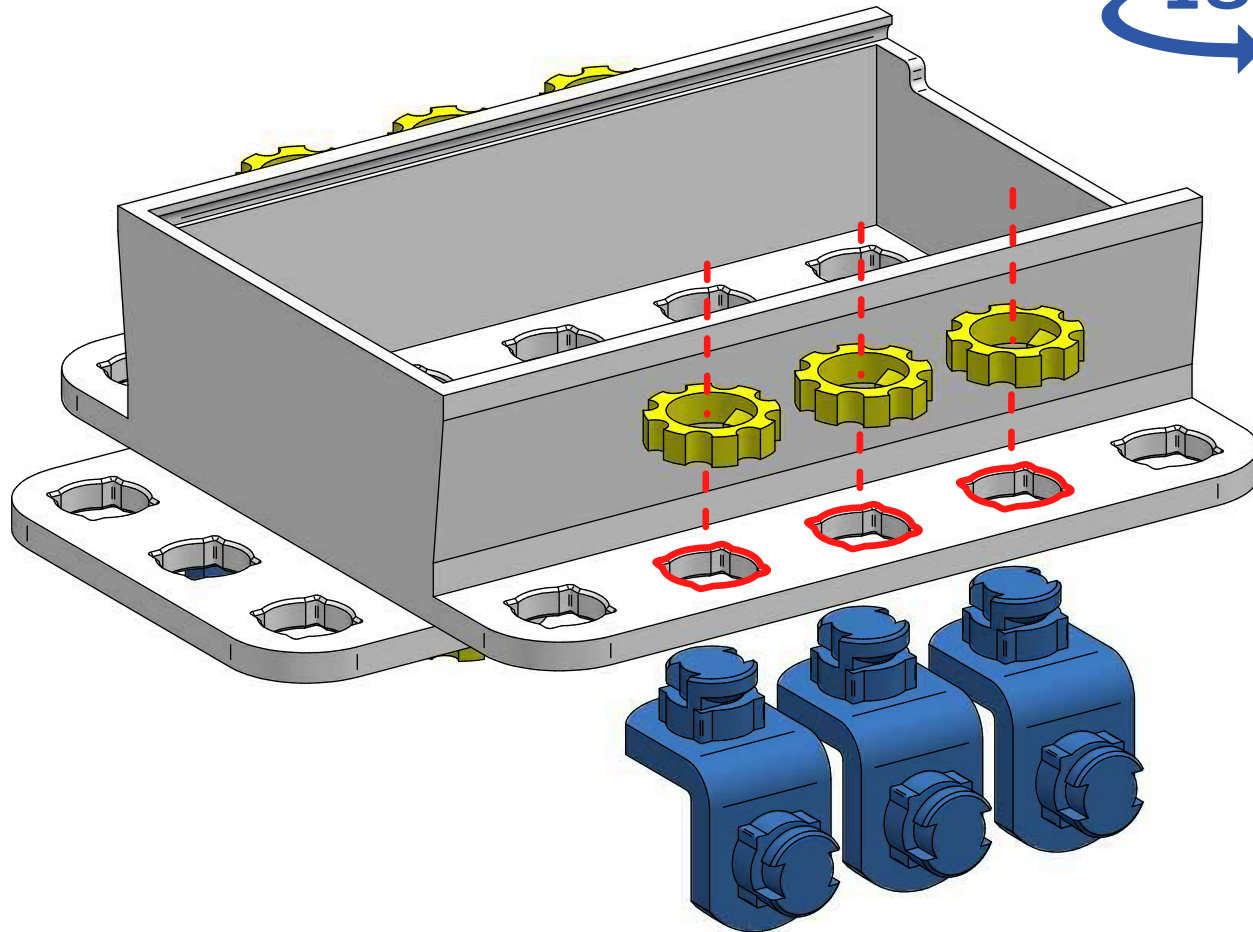
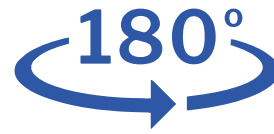
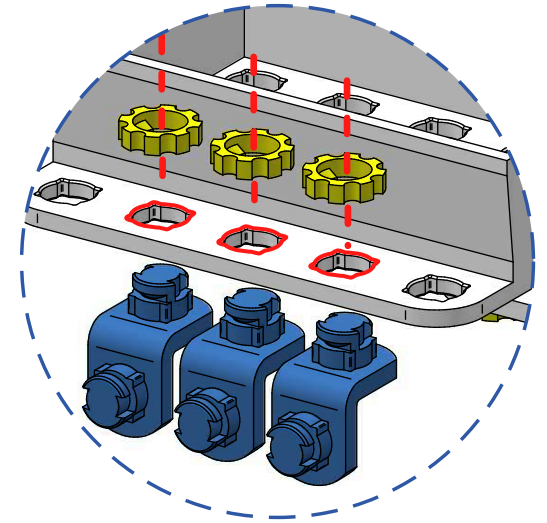
2



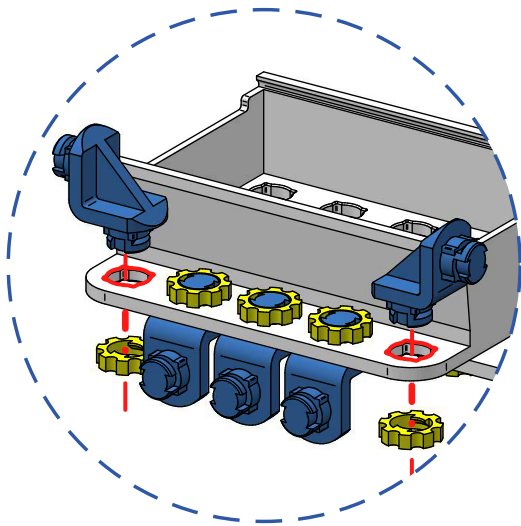
6x



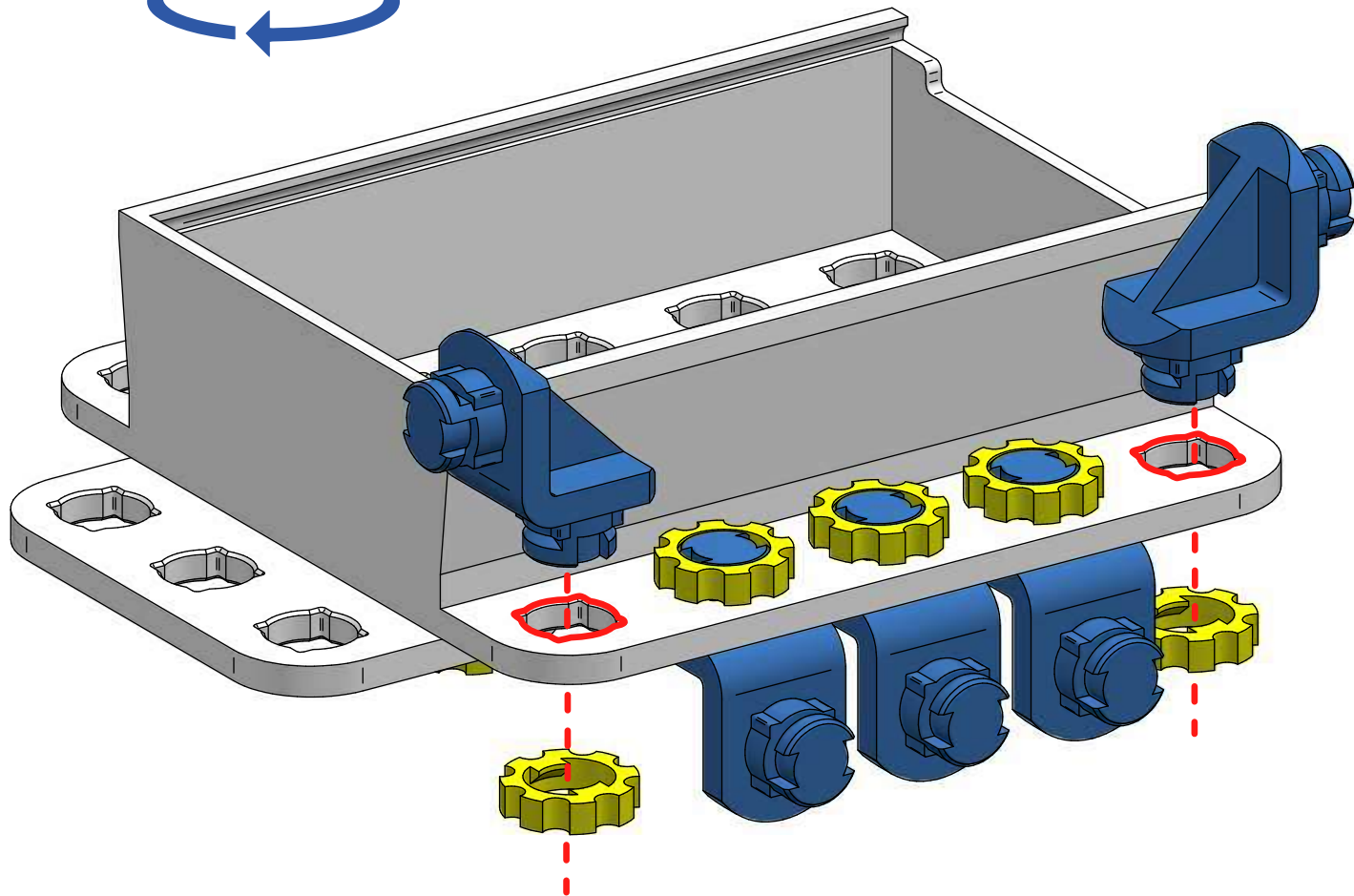
6x



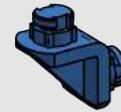




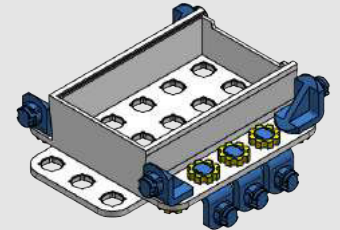
180°



4x

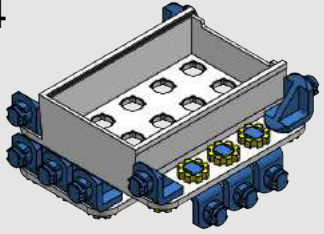


4x

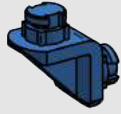


3

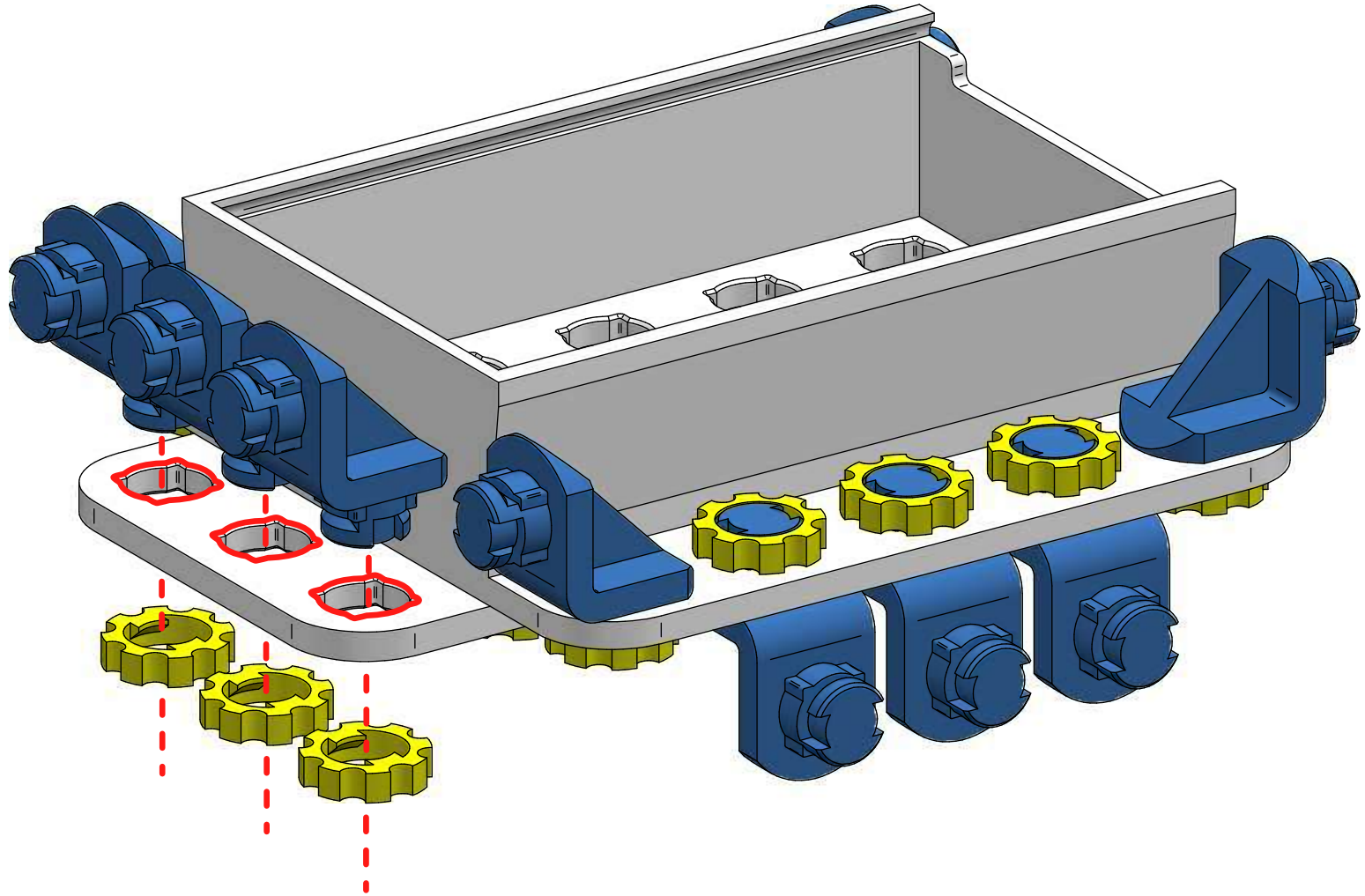
4

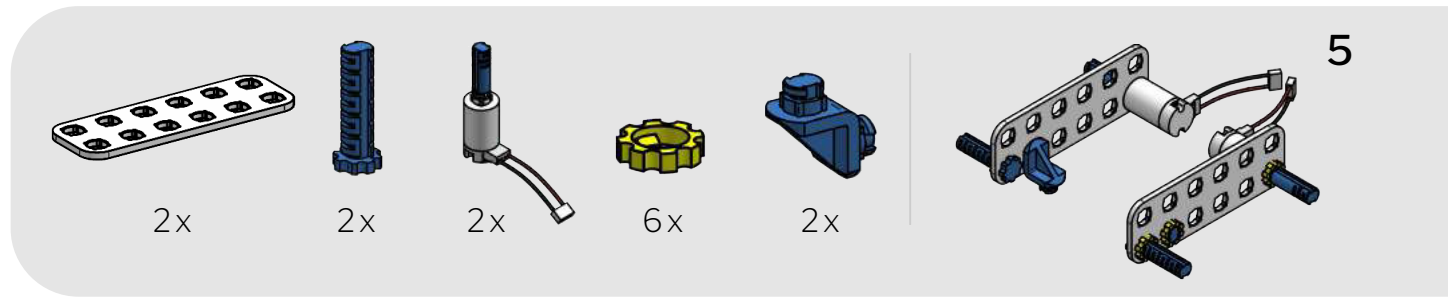
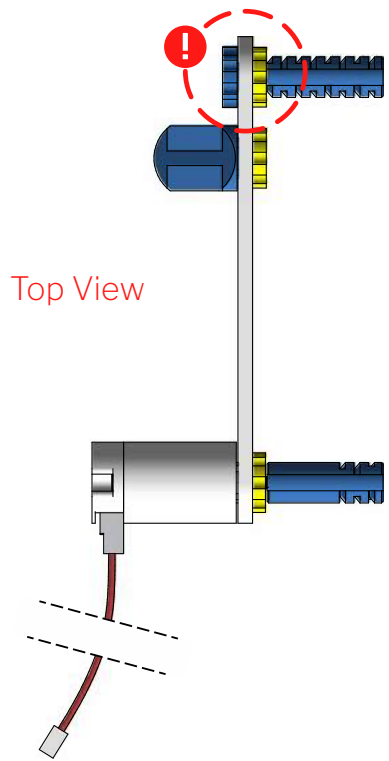


3x

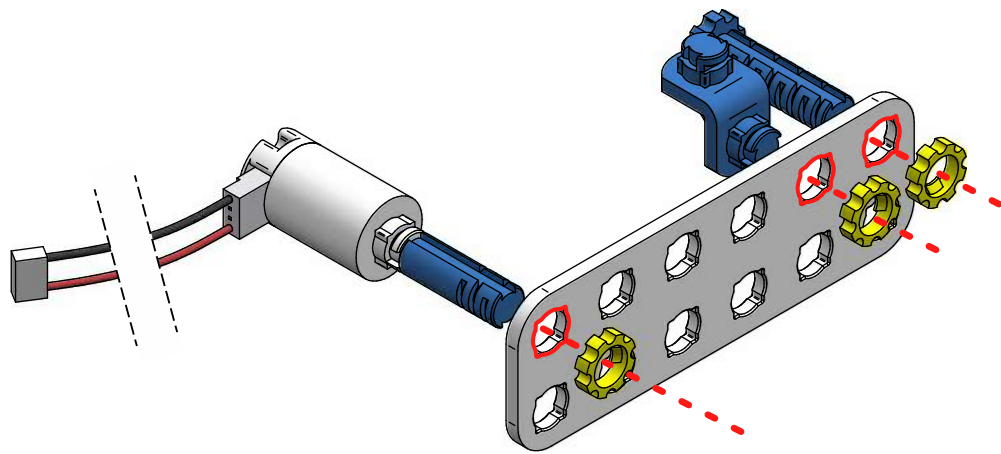


3x

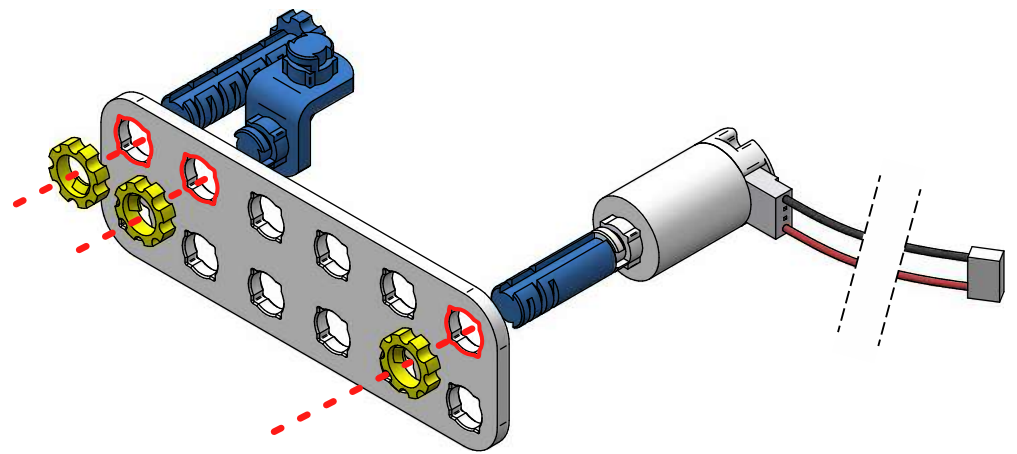




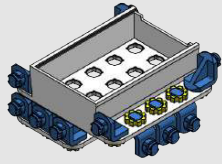
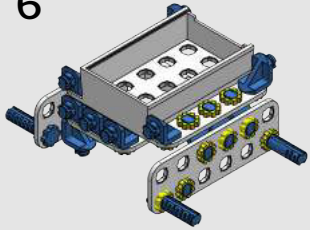
**A**



**B**

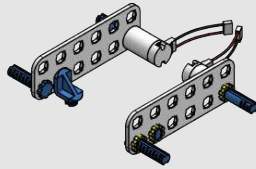


6



Step 4

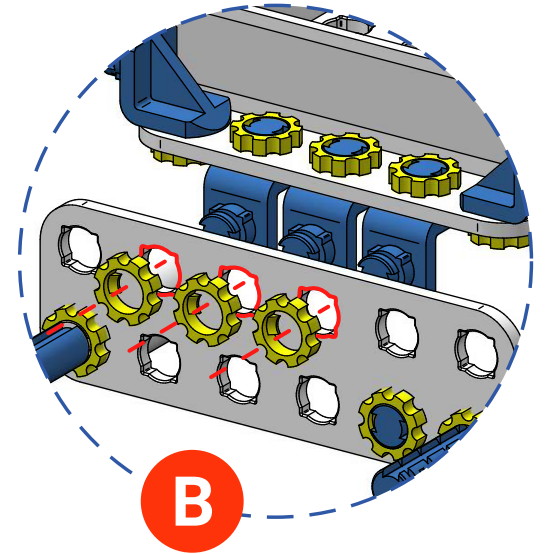
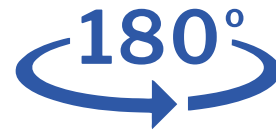
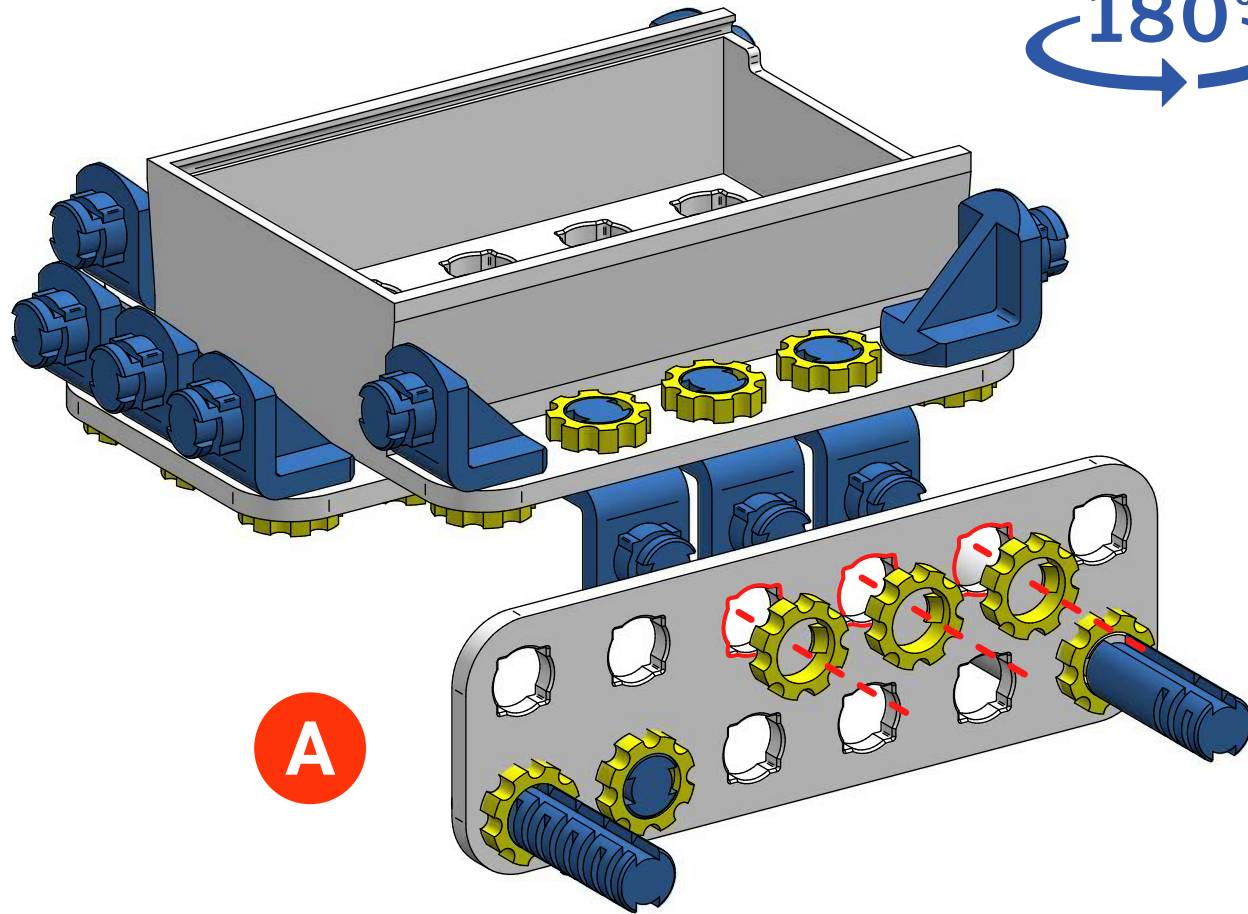
+



Step 5



6x

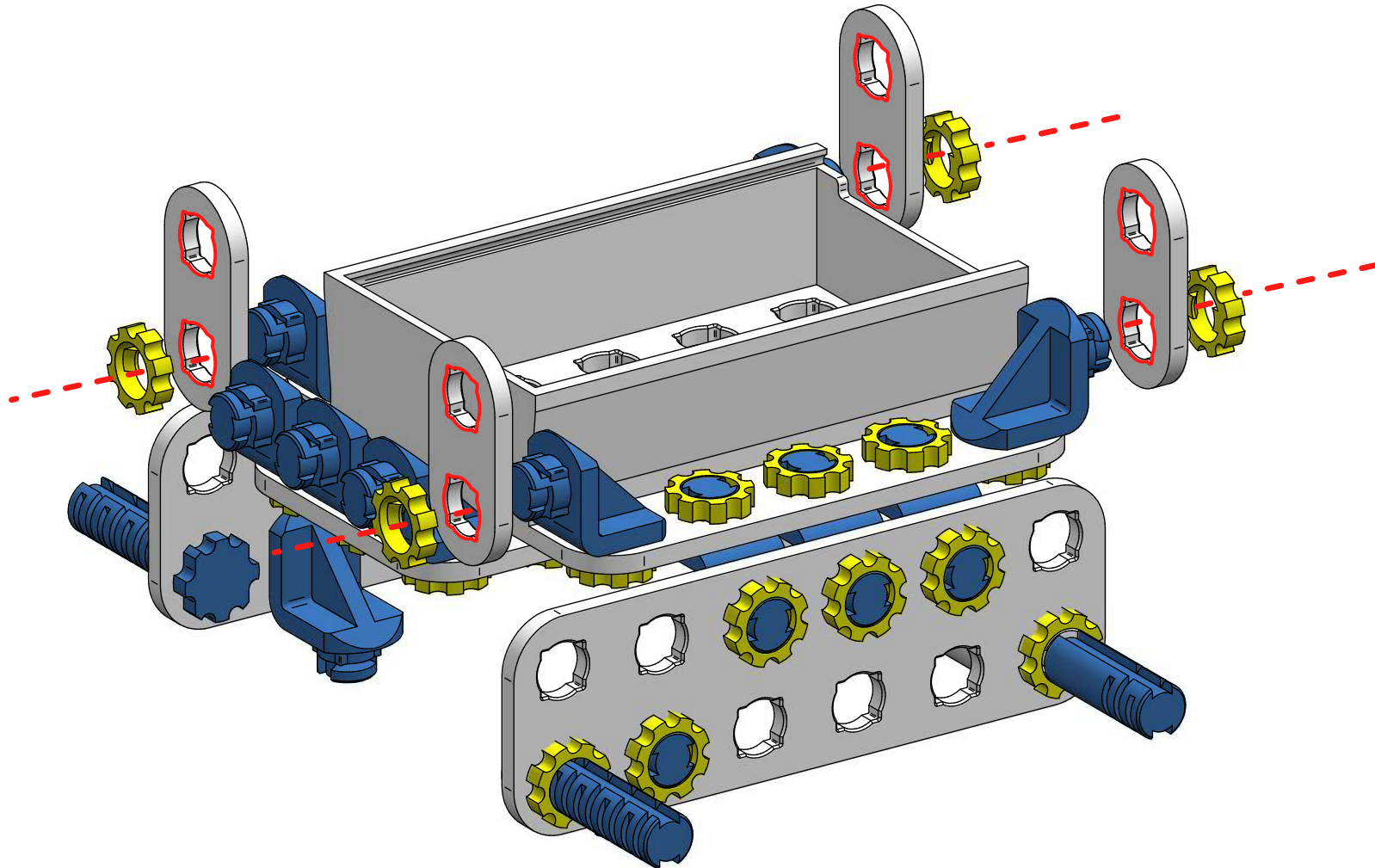
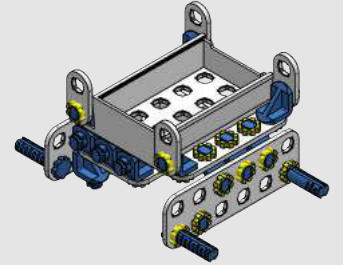




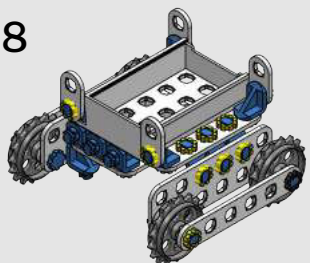
4x



4x



8



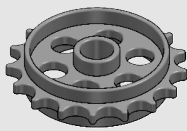
6x



2x



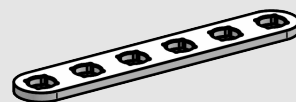
4x



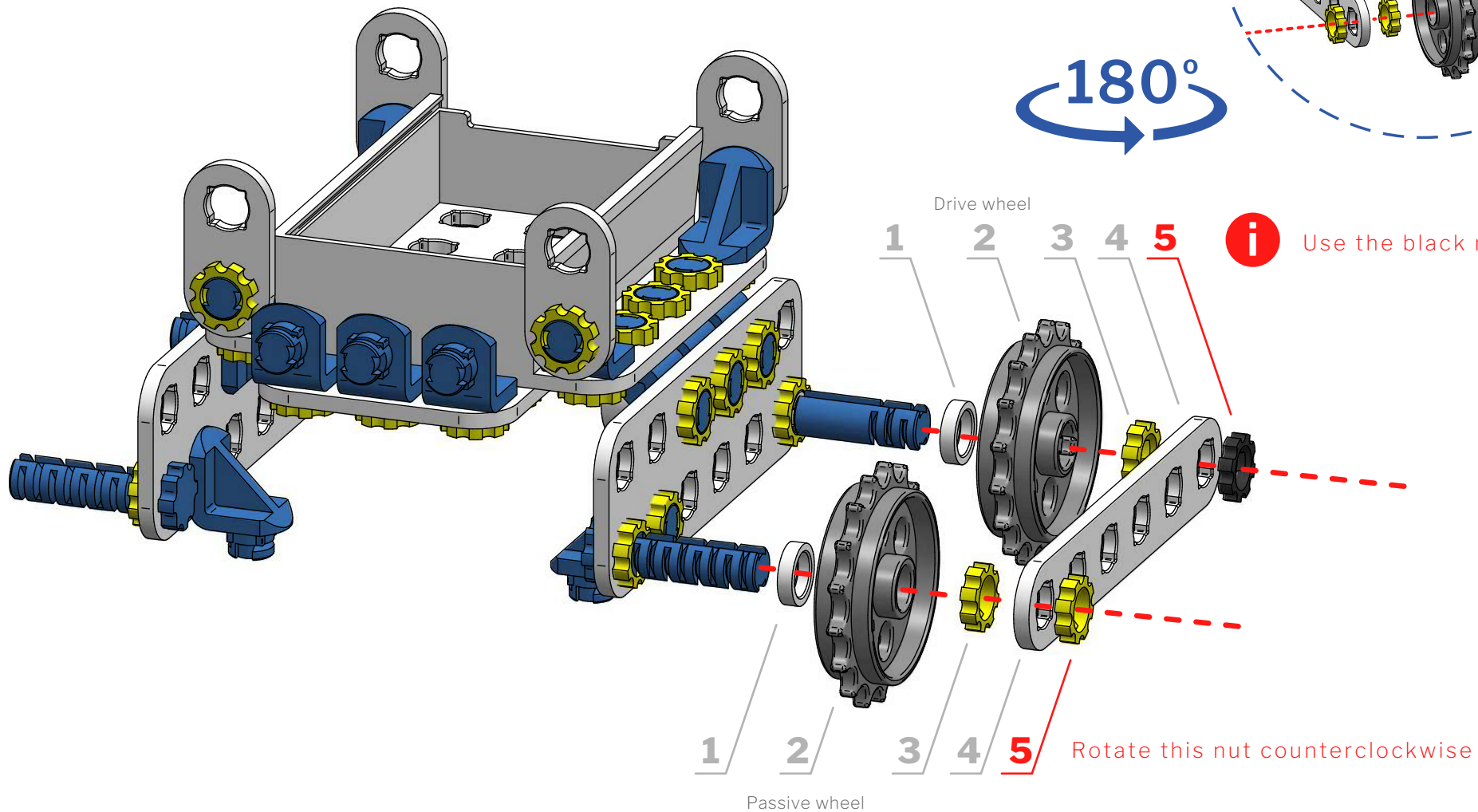
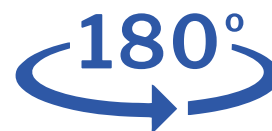
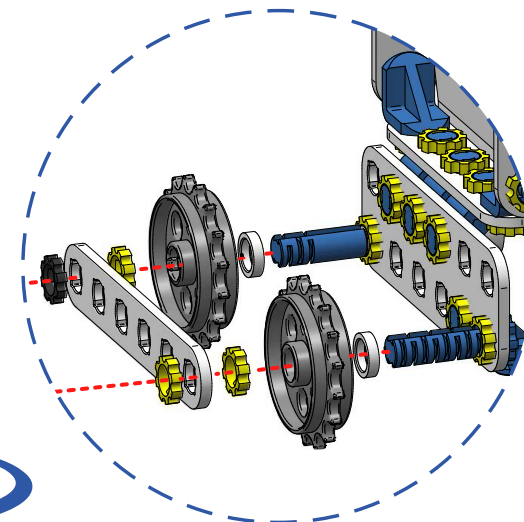
Passive wheel



Drive wheel



2x



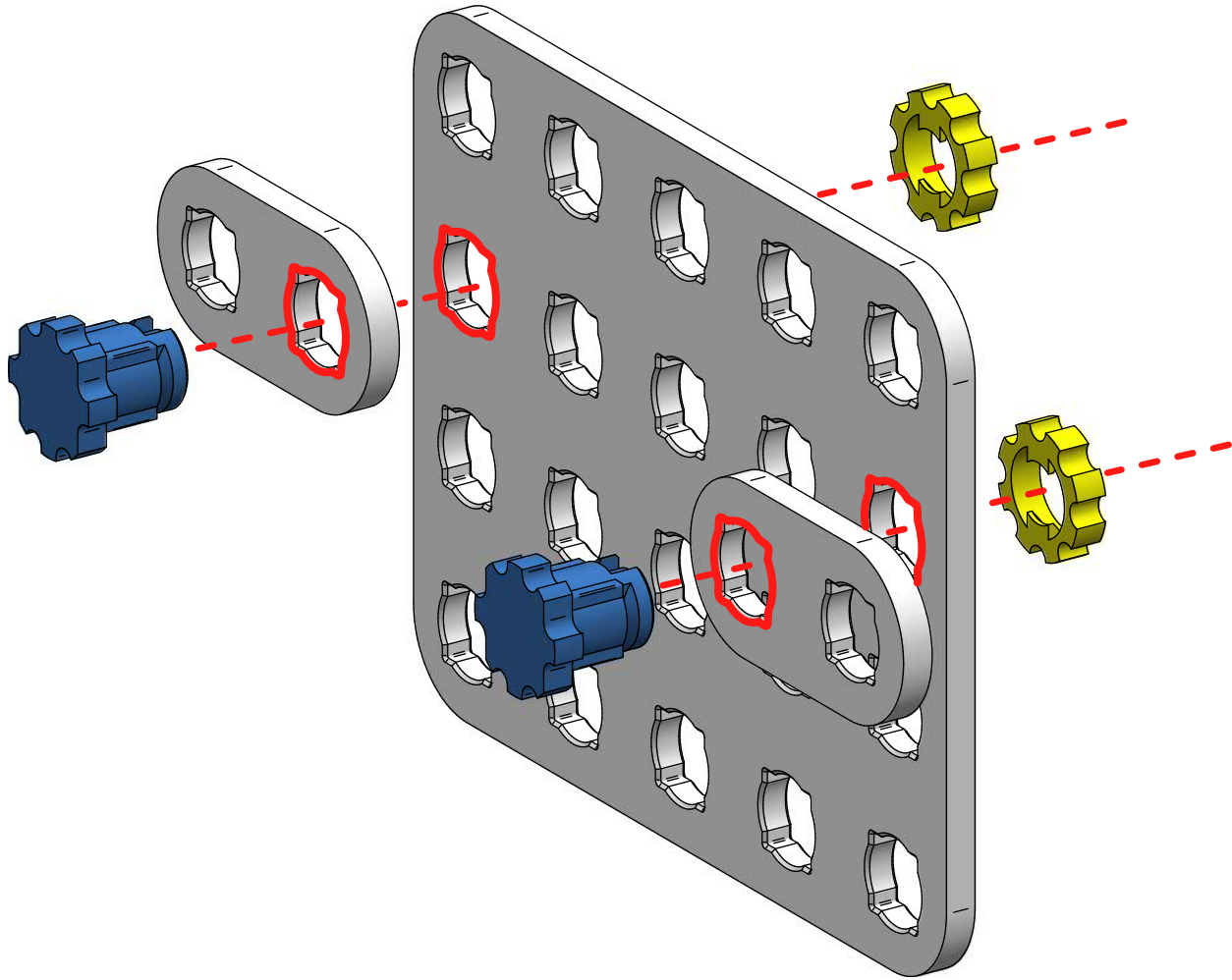
Use the black nut

Rotate this nut counterclockwise

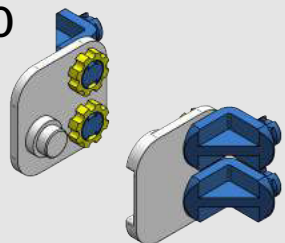


1x  
2x  
2x  
2x  
L3 Rigid Bolt

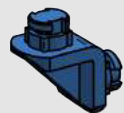
This block contains the parts list for step 9. It features four individual parts: a grey 4x6 Technic plate (1x), a grey Technic oval with two holes (2x), a yellow Technic gear (2x), and a blue L3 Rigid Bolt (2x). To the right of the list is a small inset image showing the grey plate with two blue bolts inserted into the top and bottom center holes.



10



4x



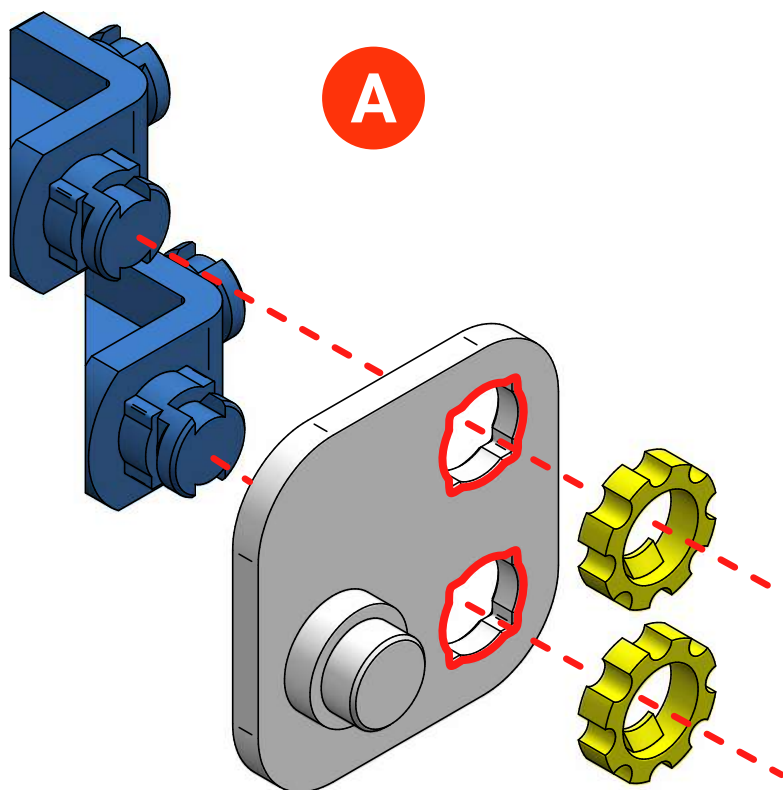
4x



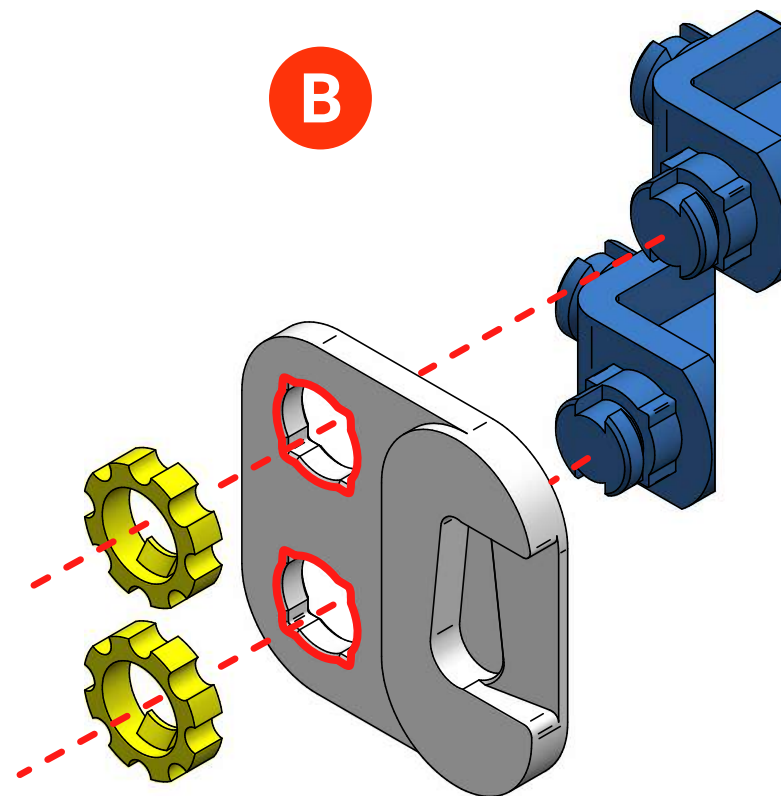
1x



1x

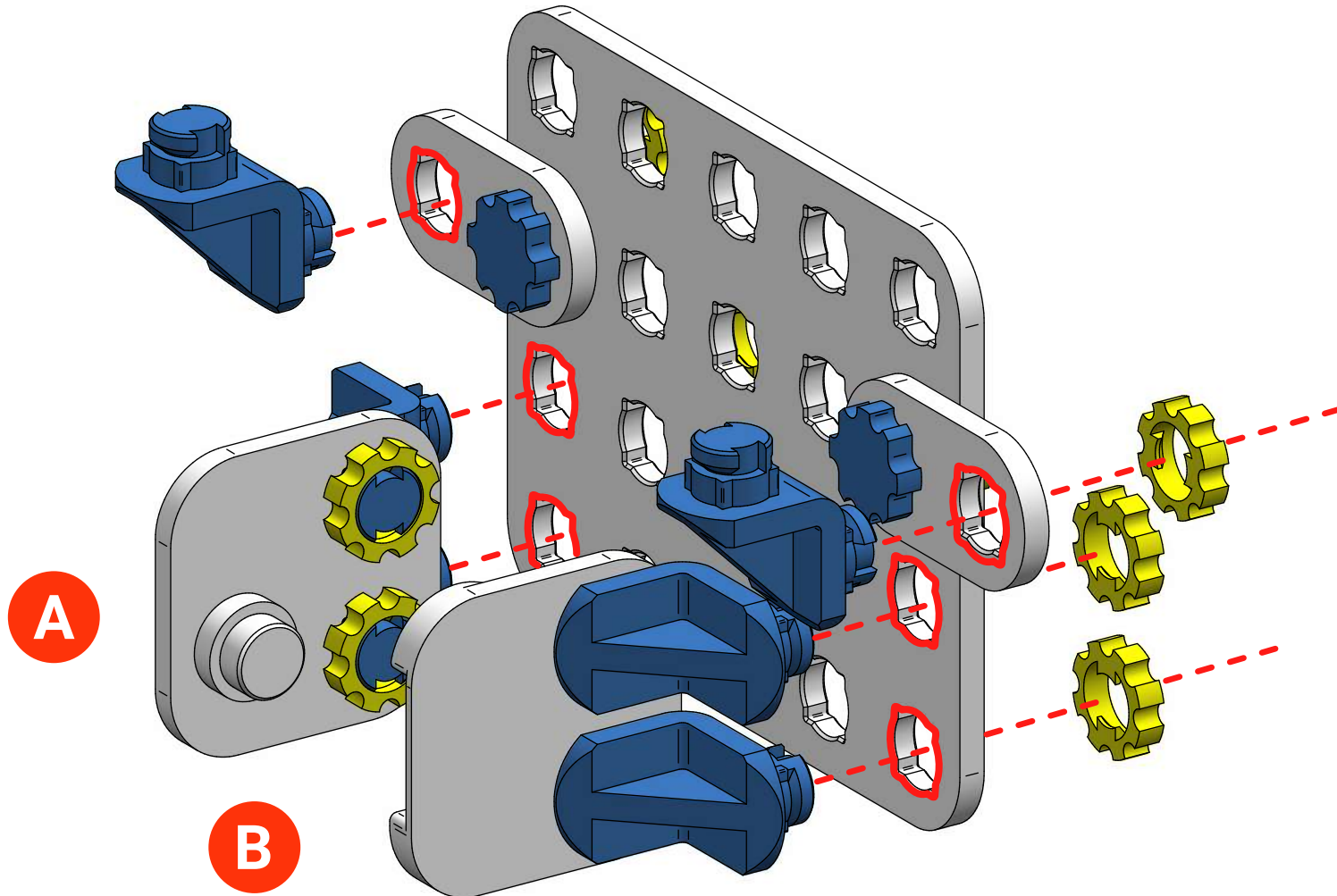


A

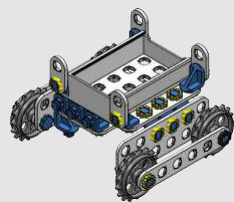
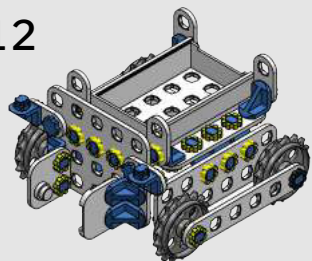


B



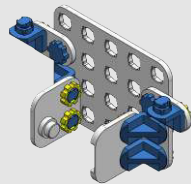


12



Step 8

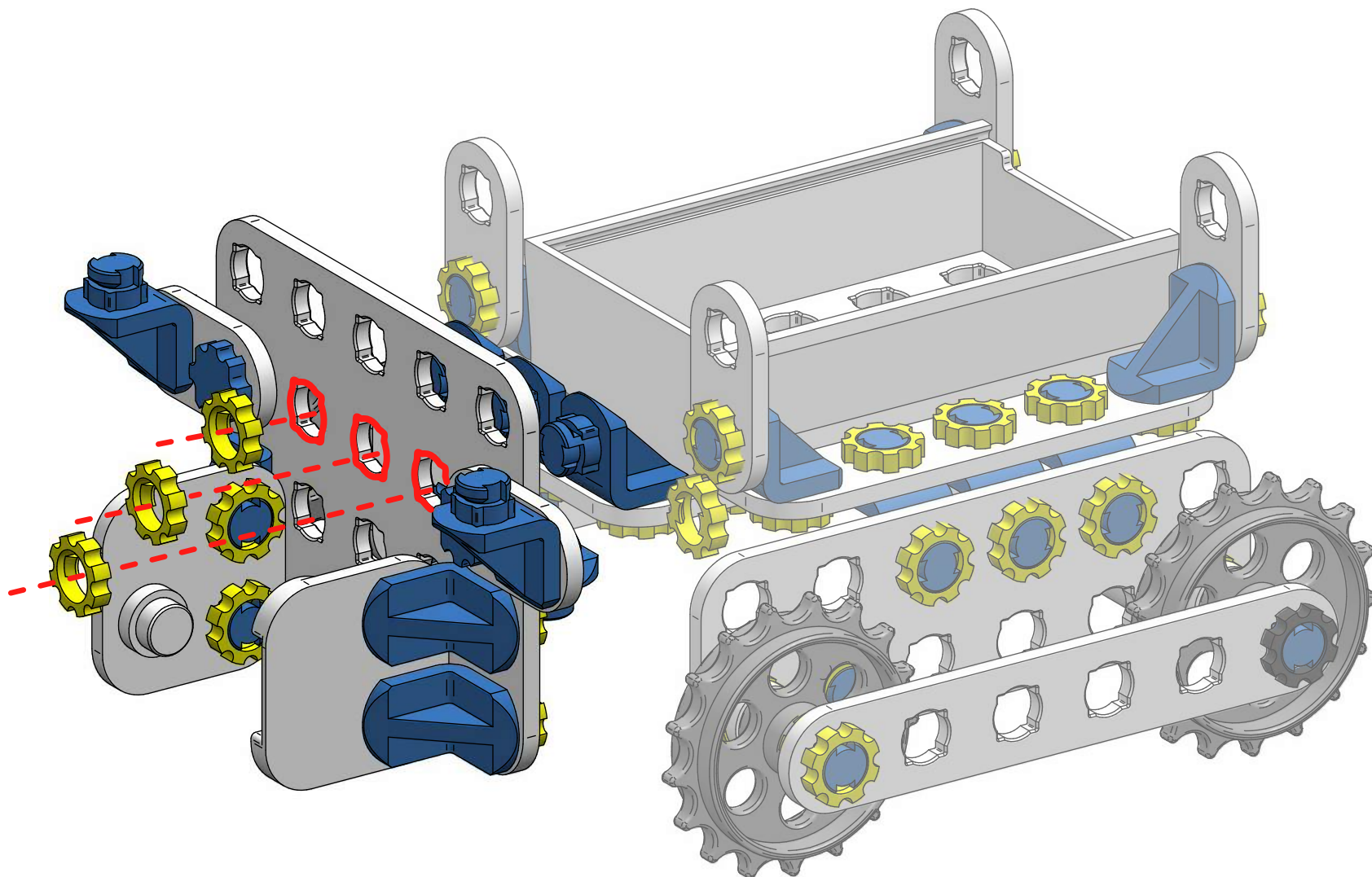
+



Step 10

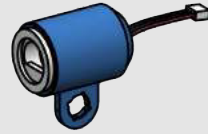


3x

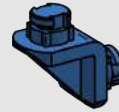




2x



2x



2x

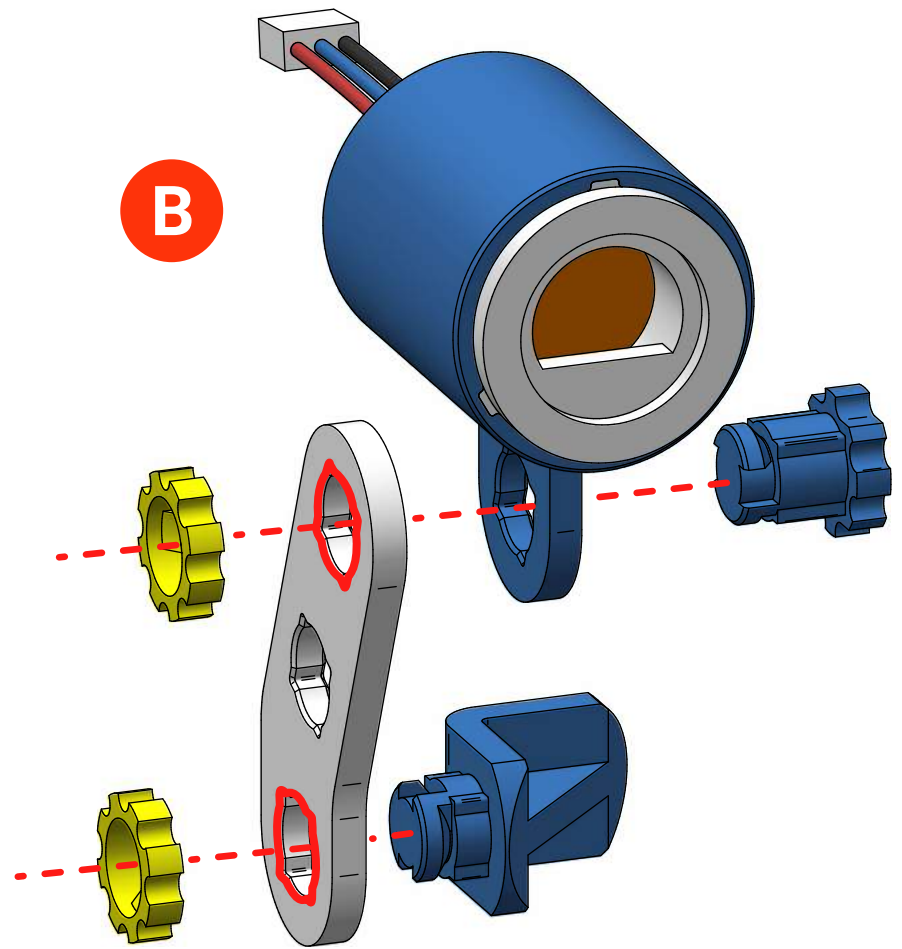
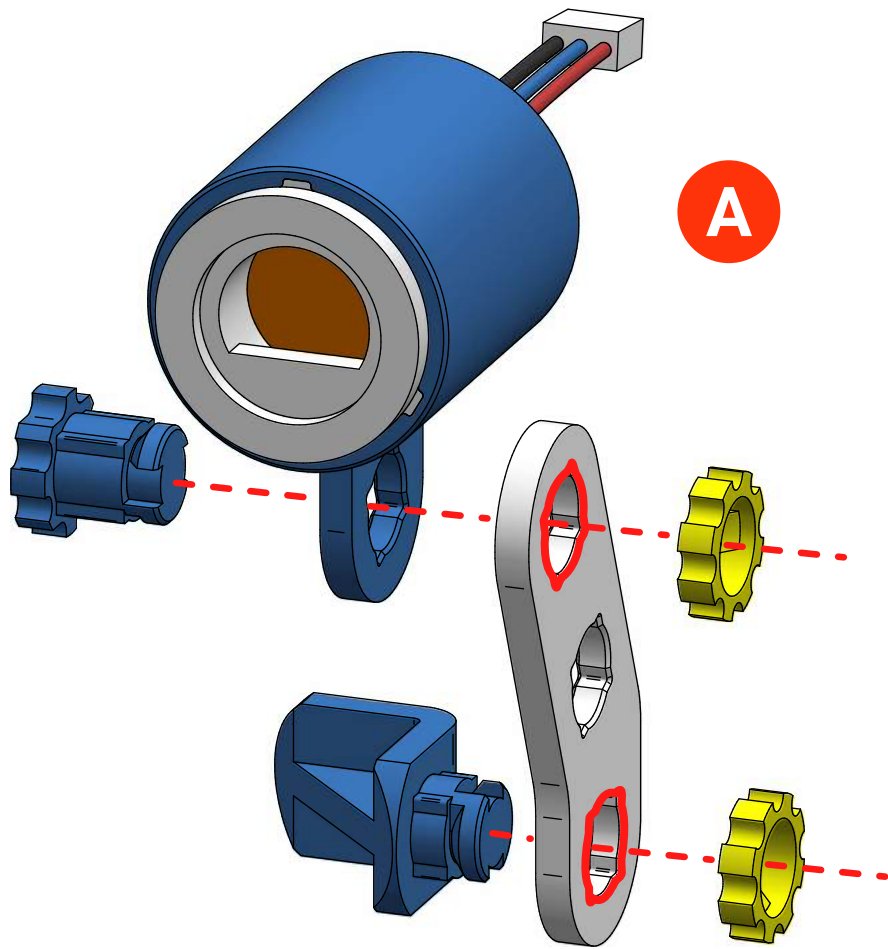
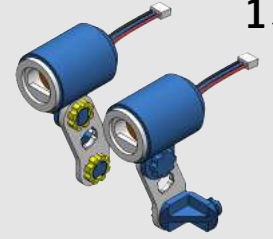


4x

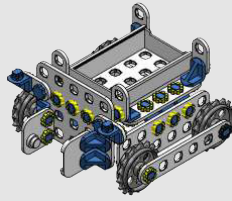
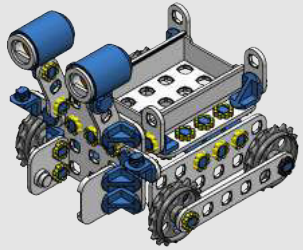


2x

L3 Rigid Bolt



14



Step 12

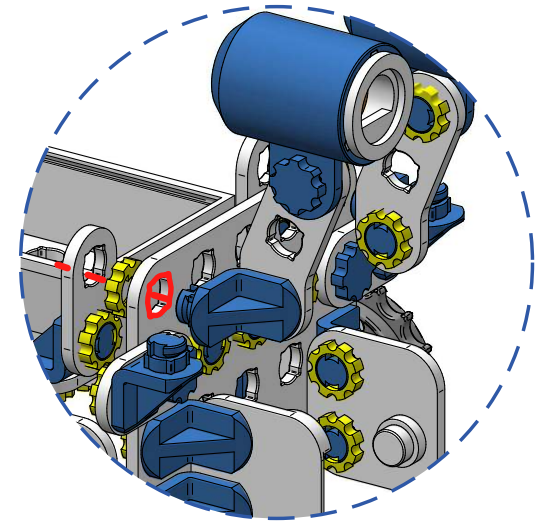
+



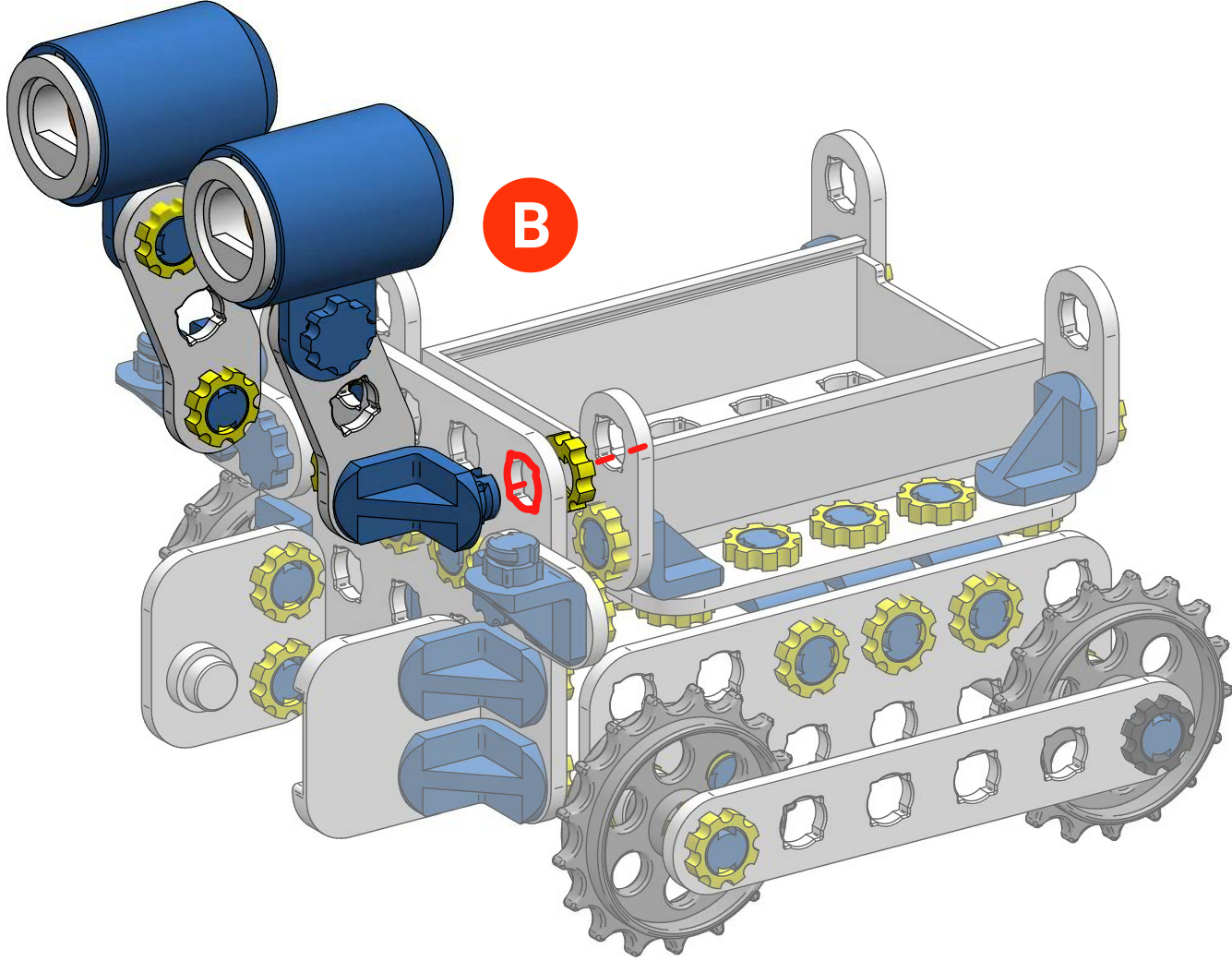
Step 13



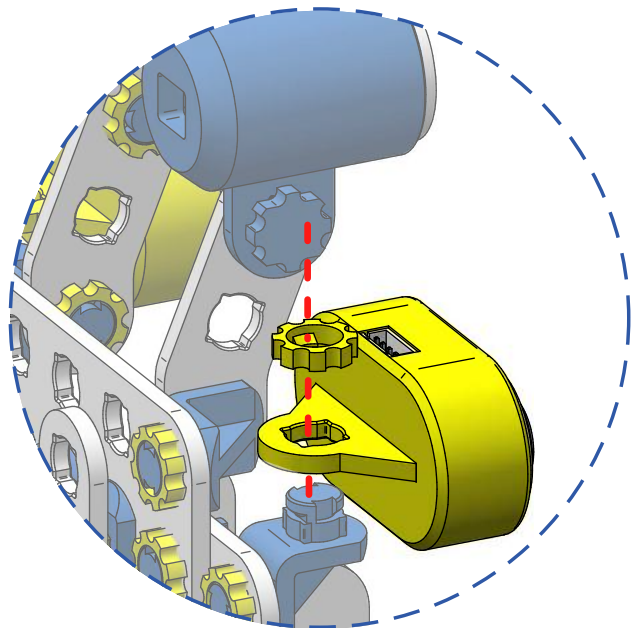
3x


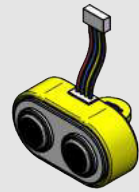
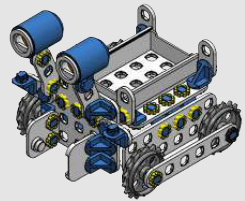


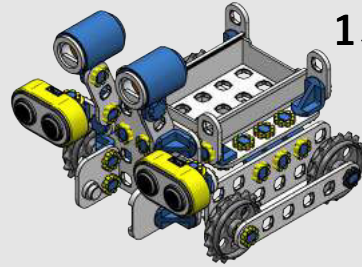
A

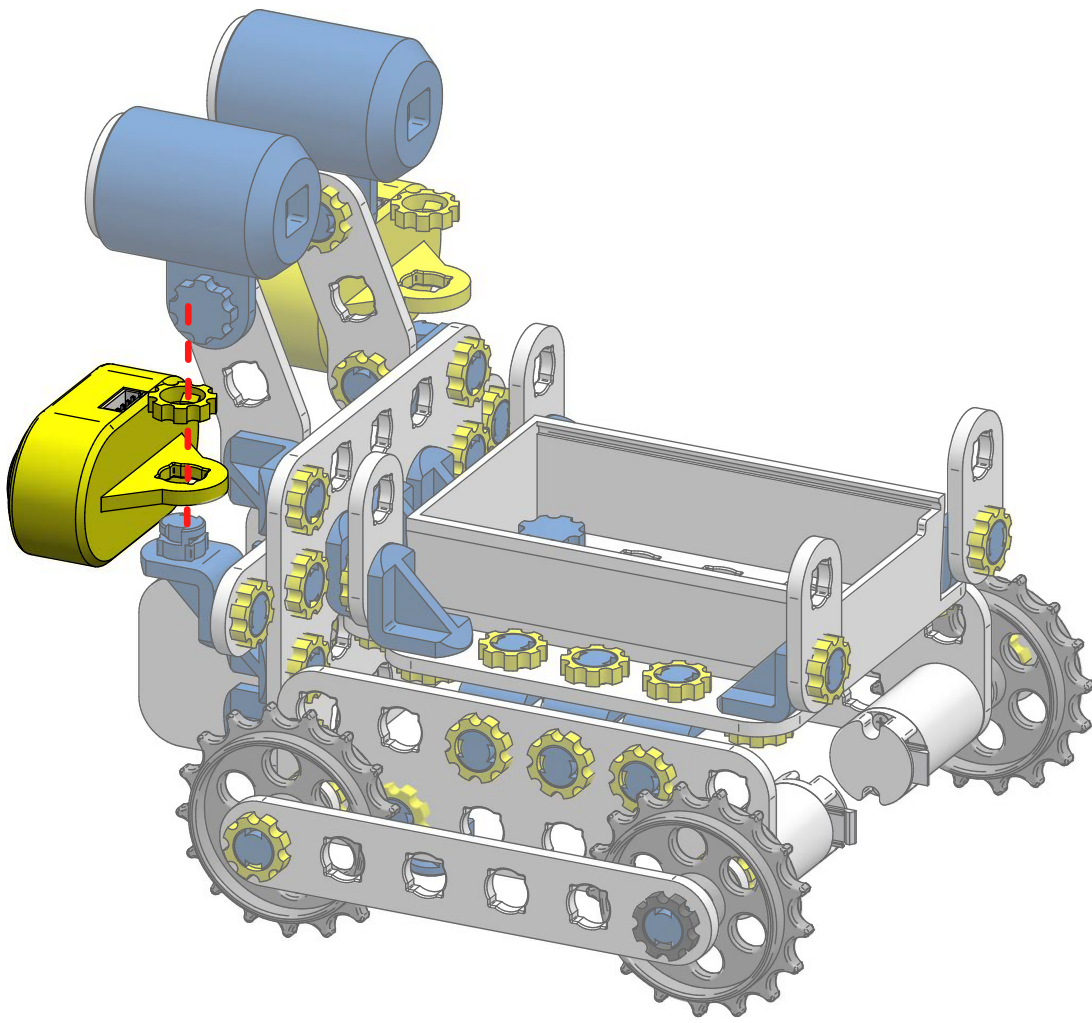


B

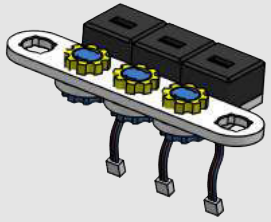


2x  2x  +  Step 14

 15



16



4x

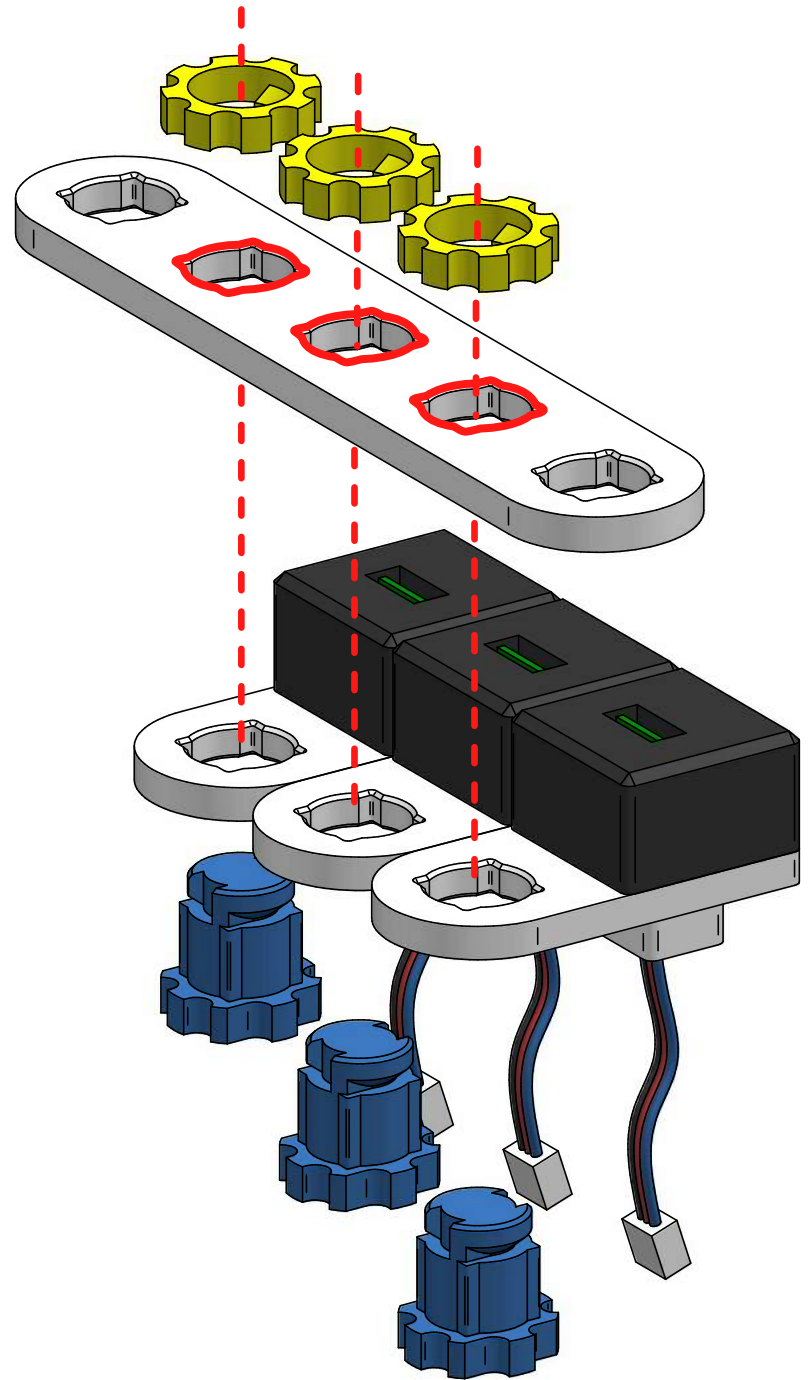


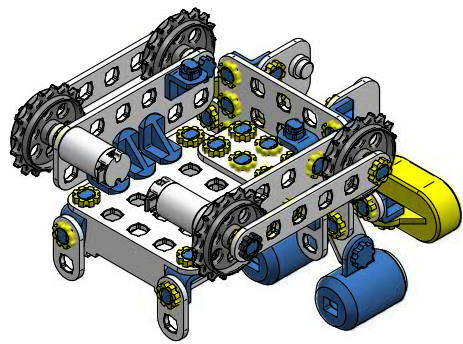
2x

L3 Rigid Bolt

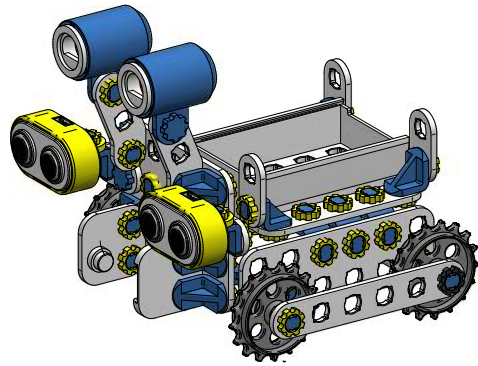


3x

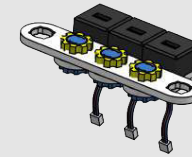




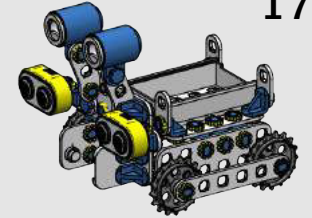
180°



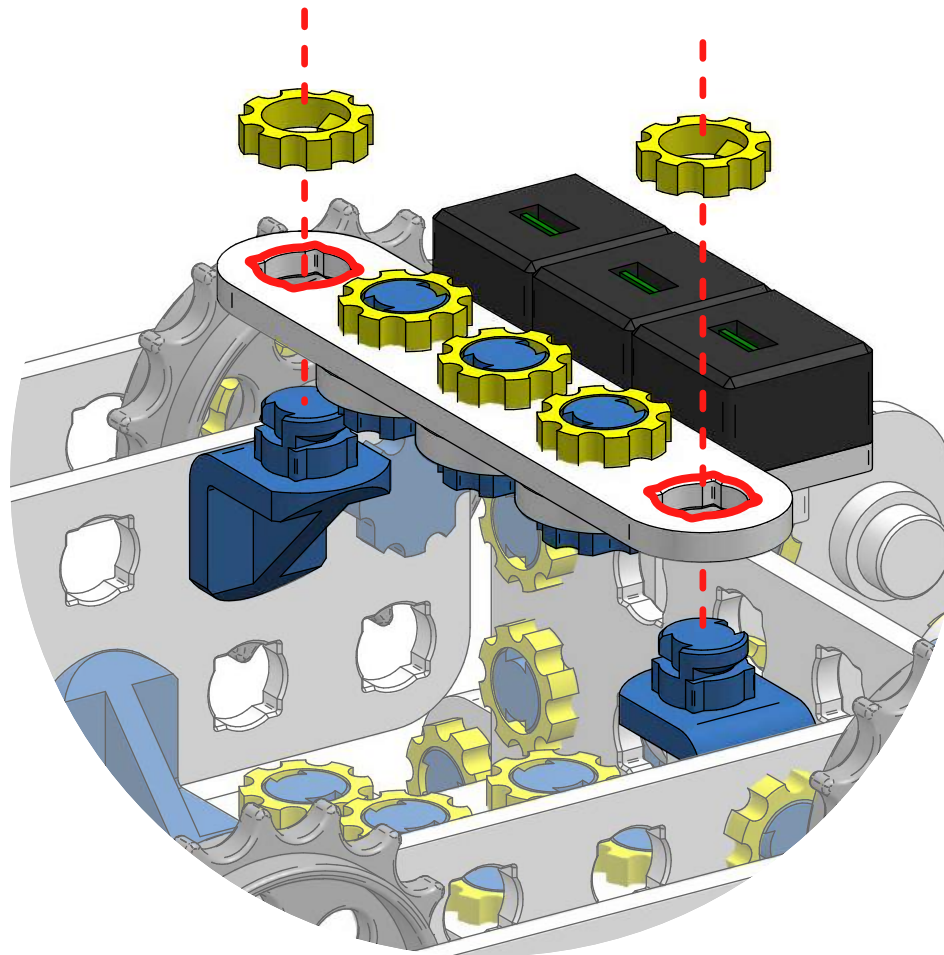
2x



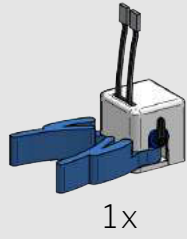
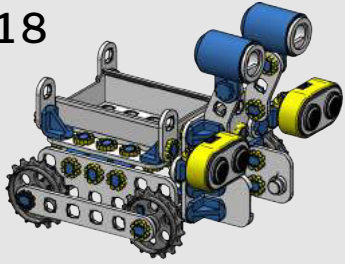
+



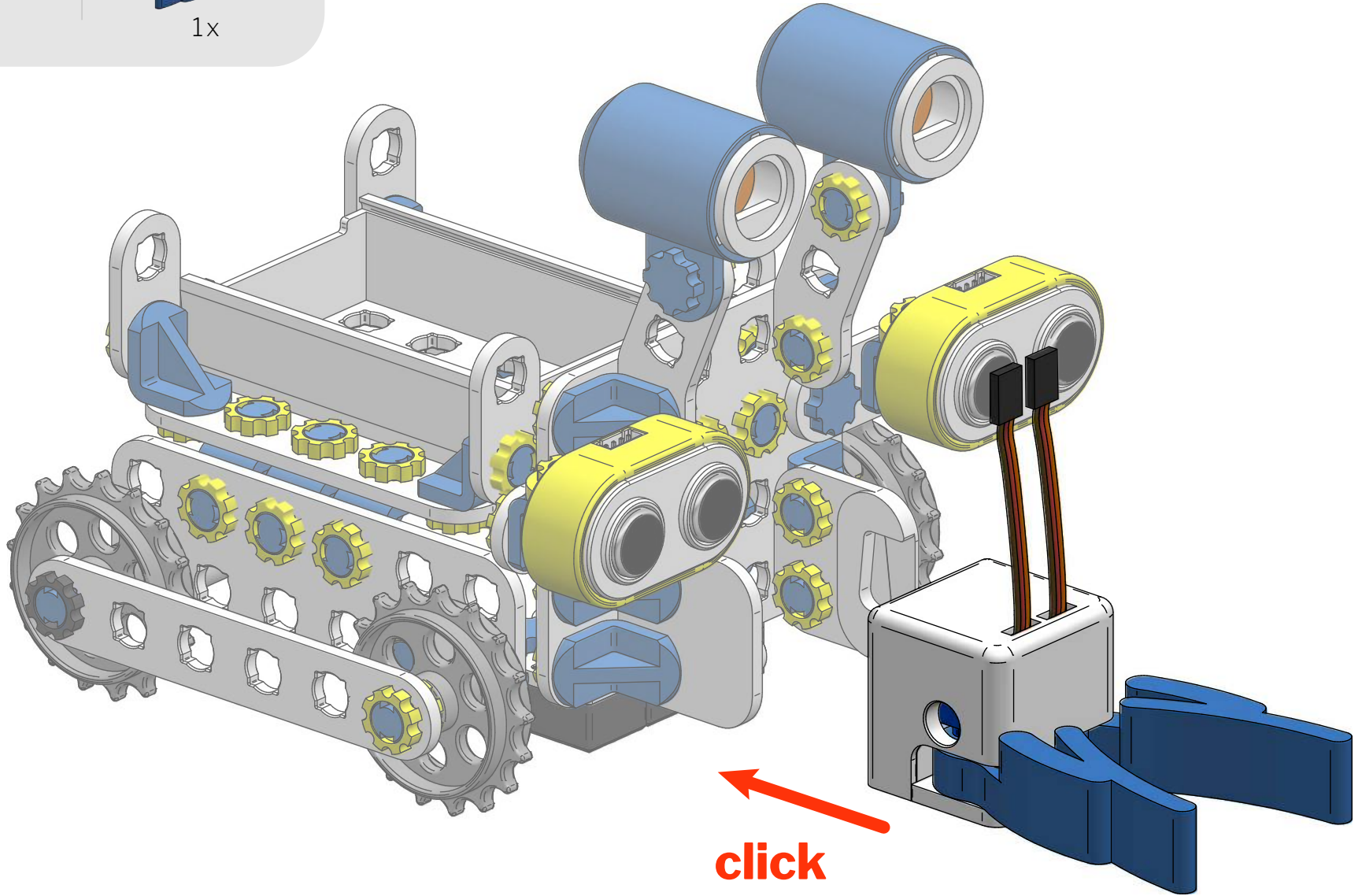
17



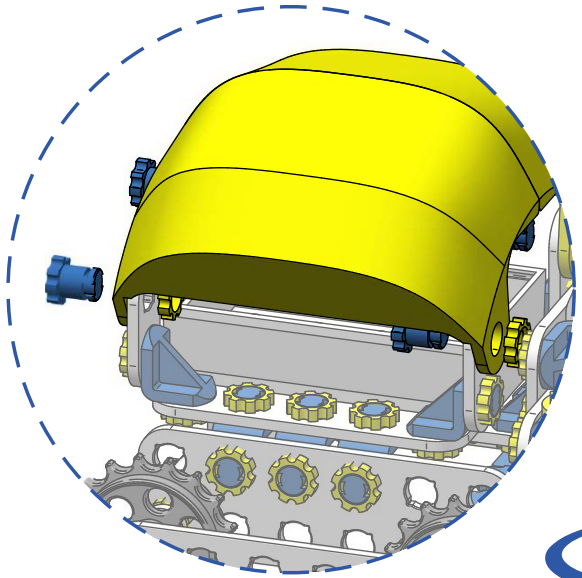
18



1x







4x

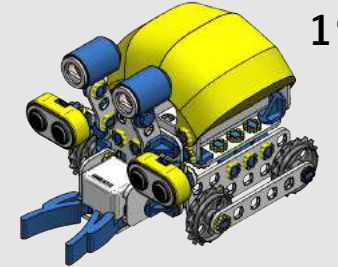


4x

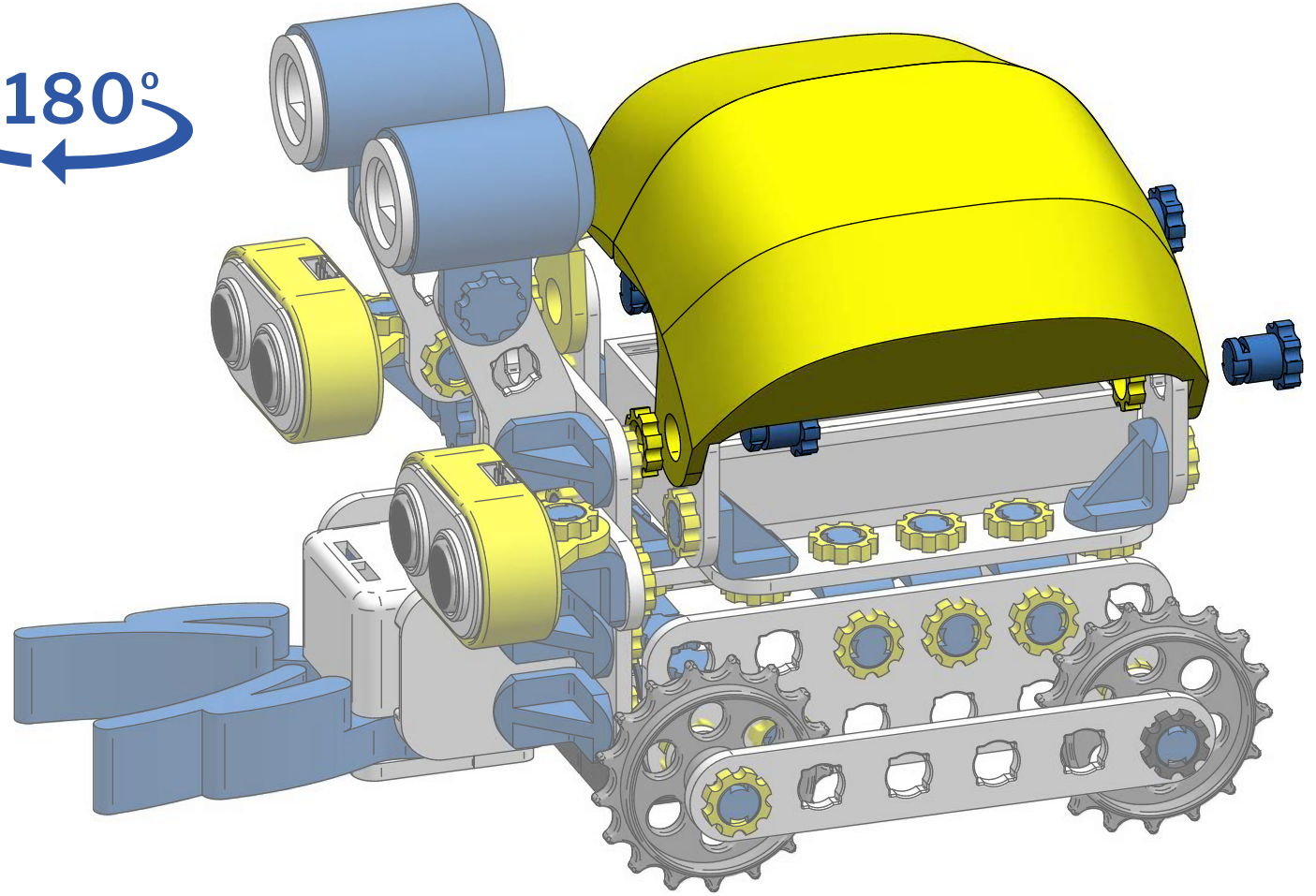


2x

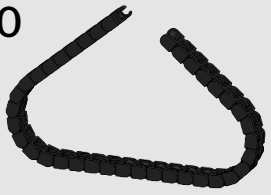
L3 Rotating Bolt



180°



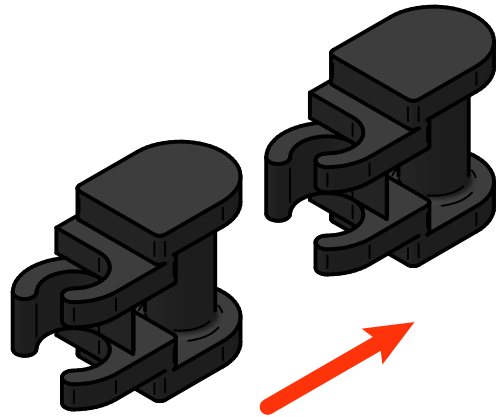
20



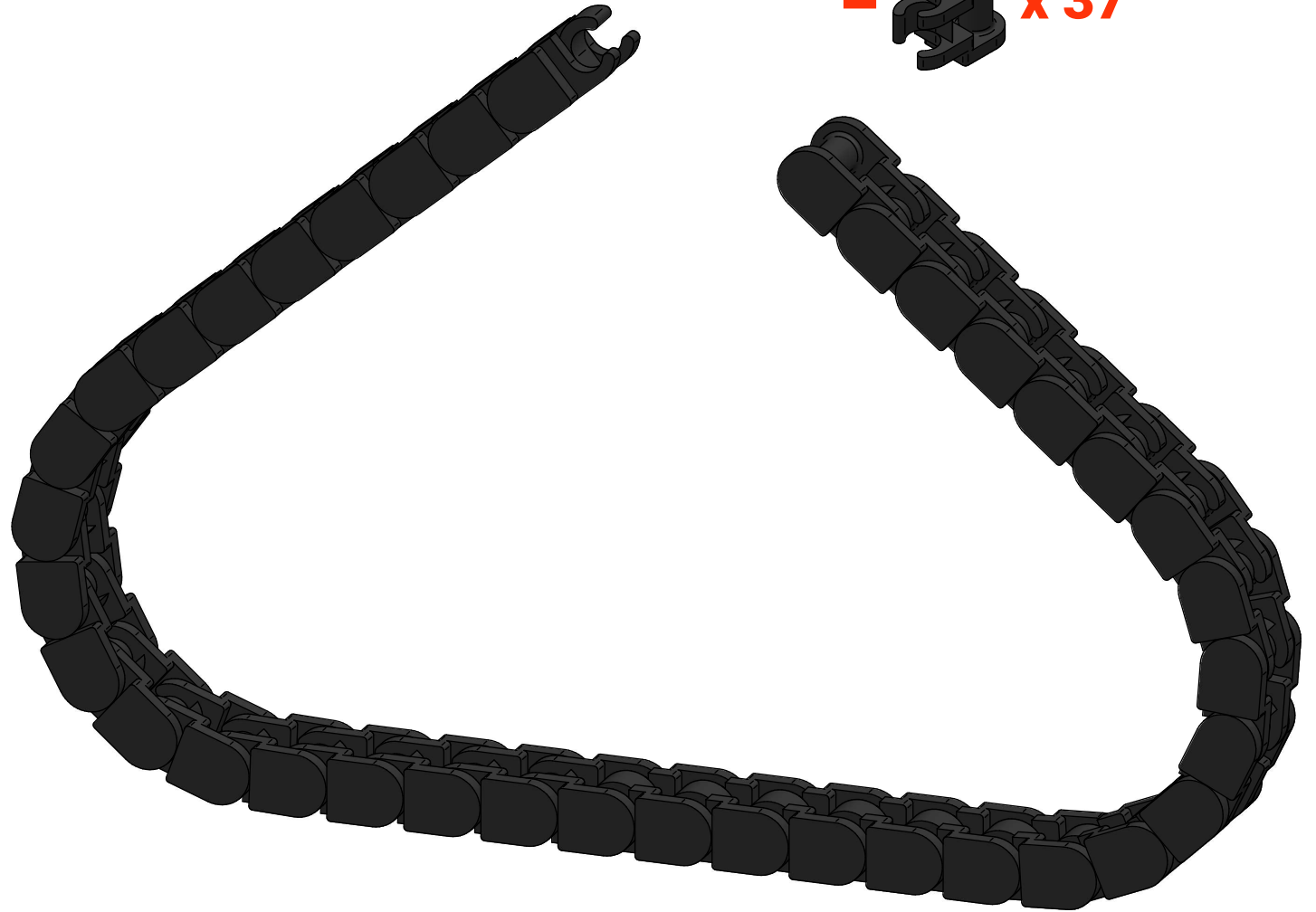
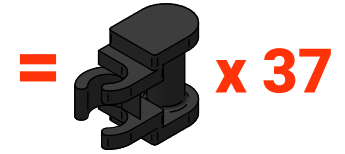
2x

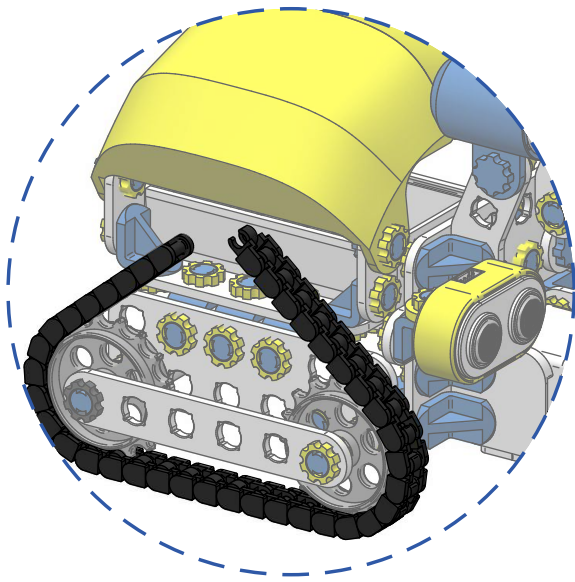


74x

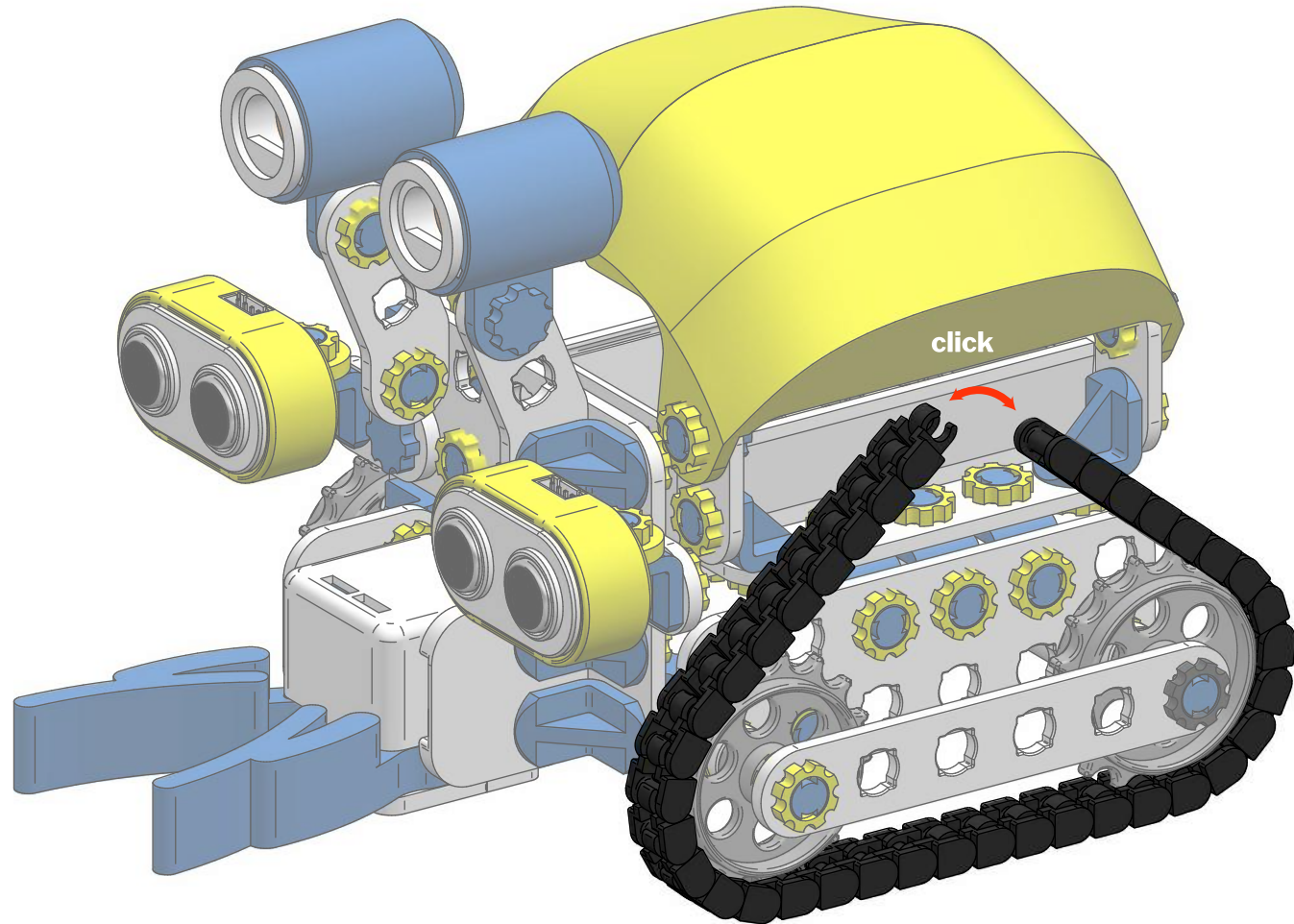
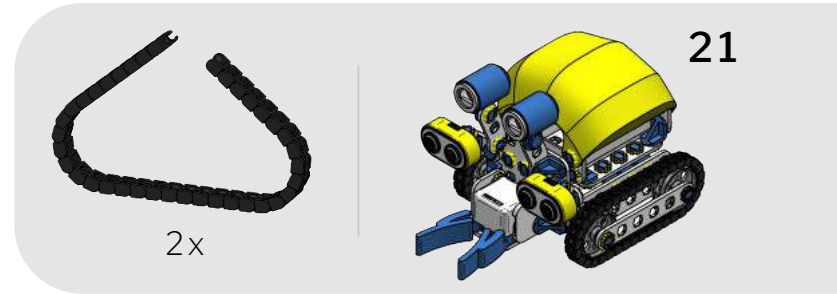


**click**

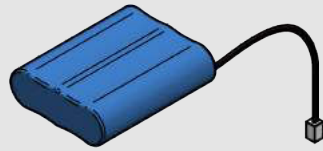
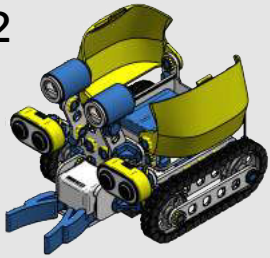




180°

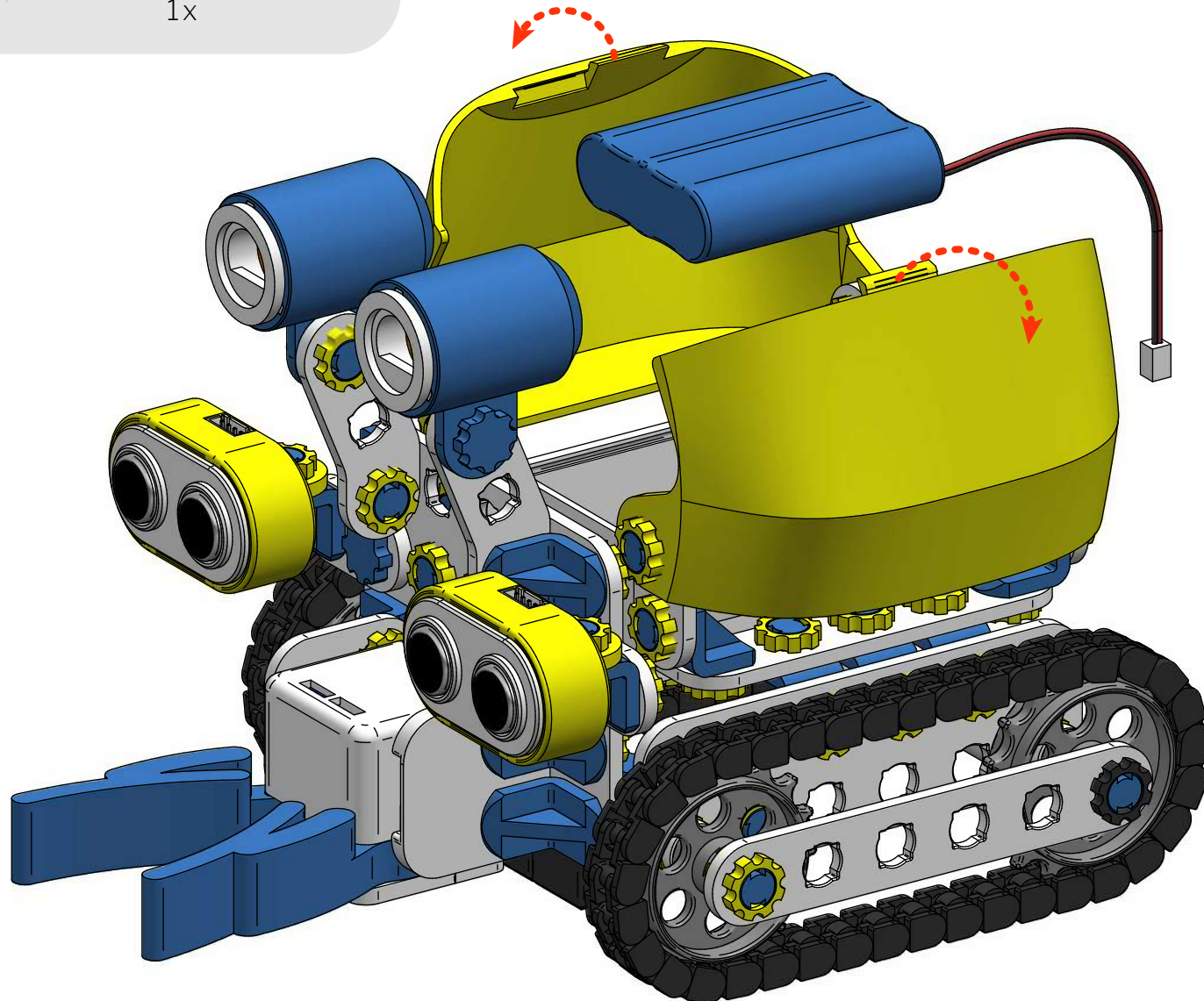


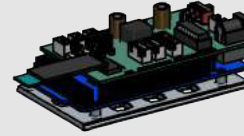
22



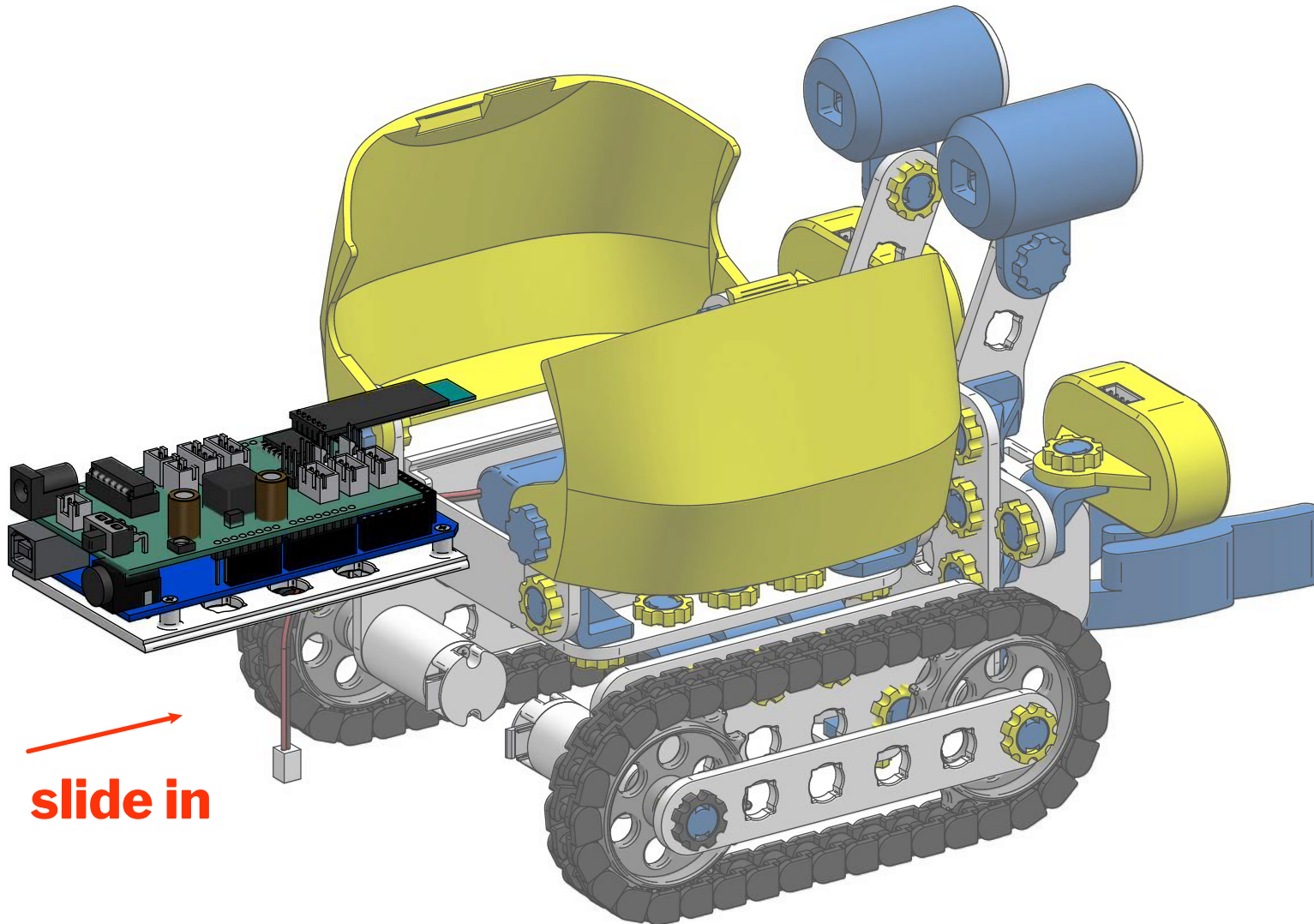
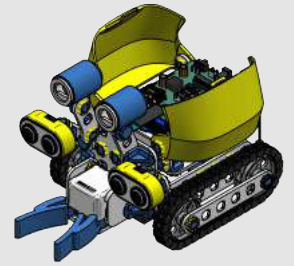
1x


Place the battery into the compartment



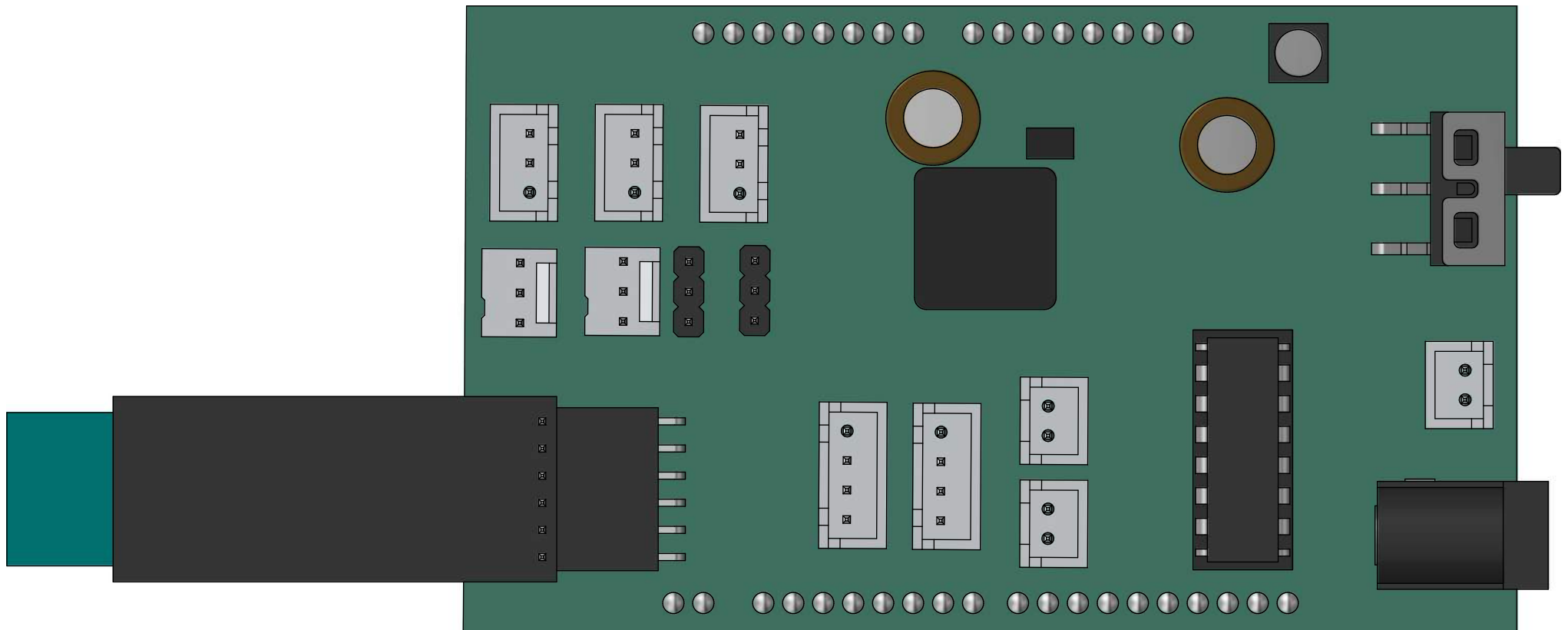


1x

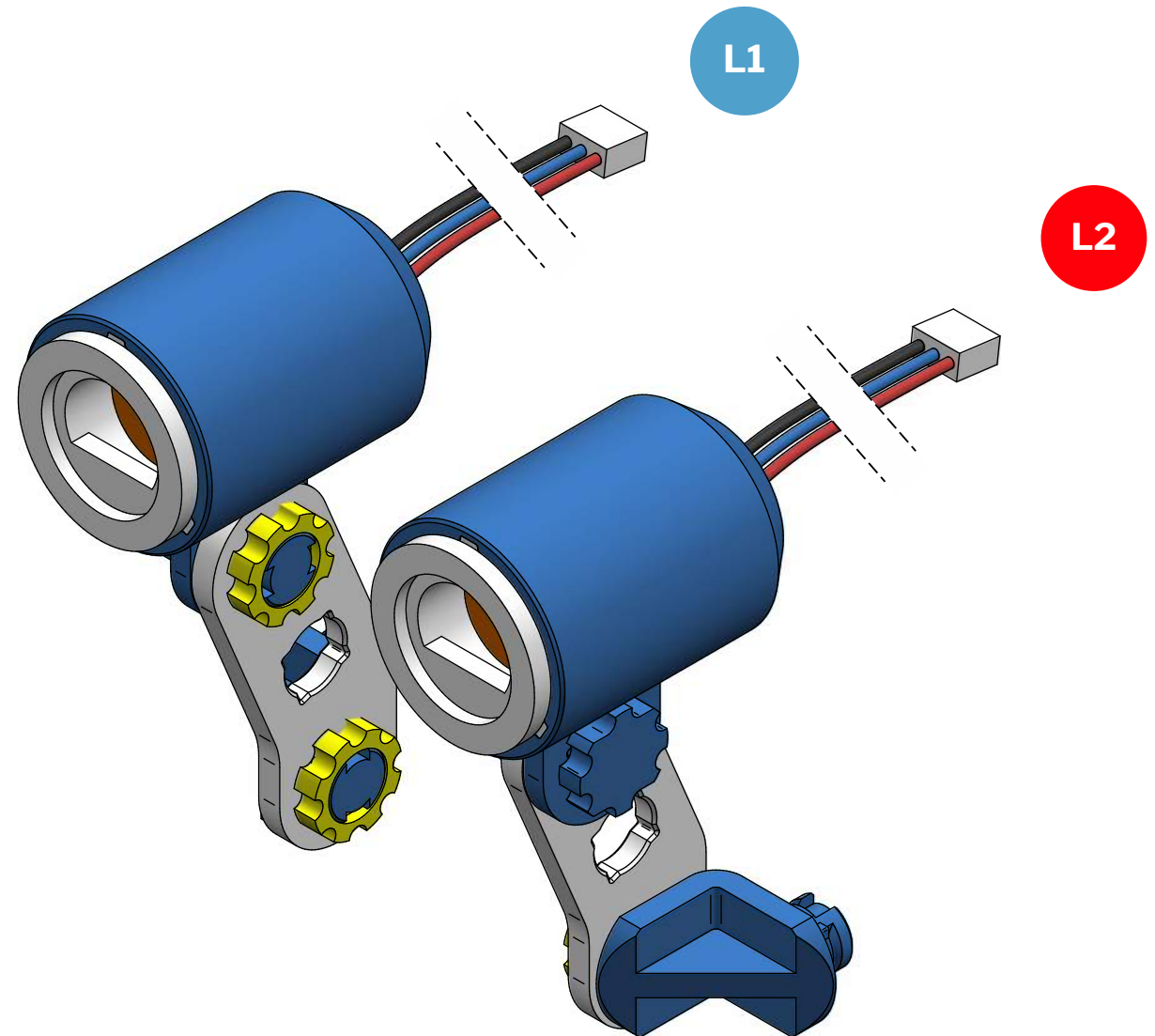
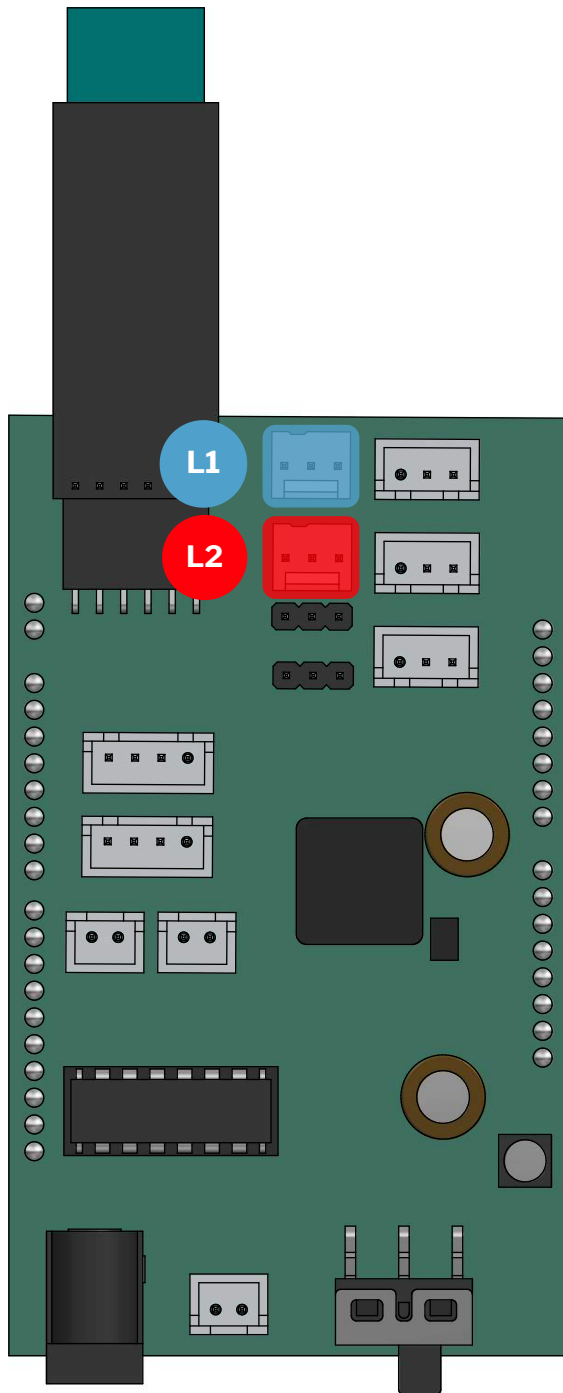


 **slide in**

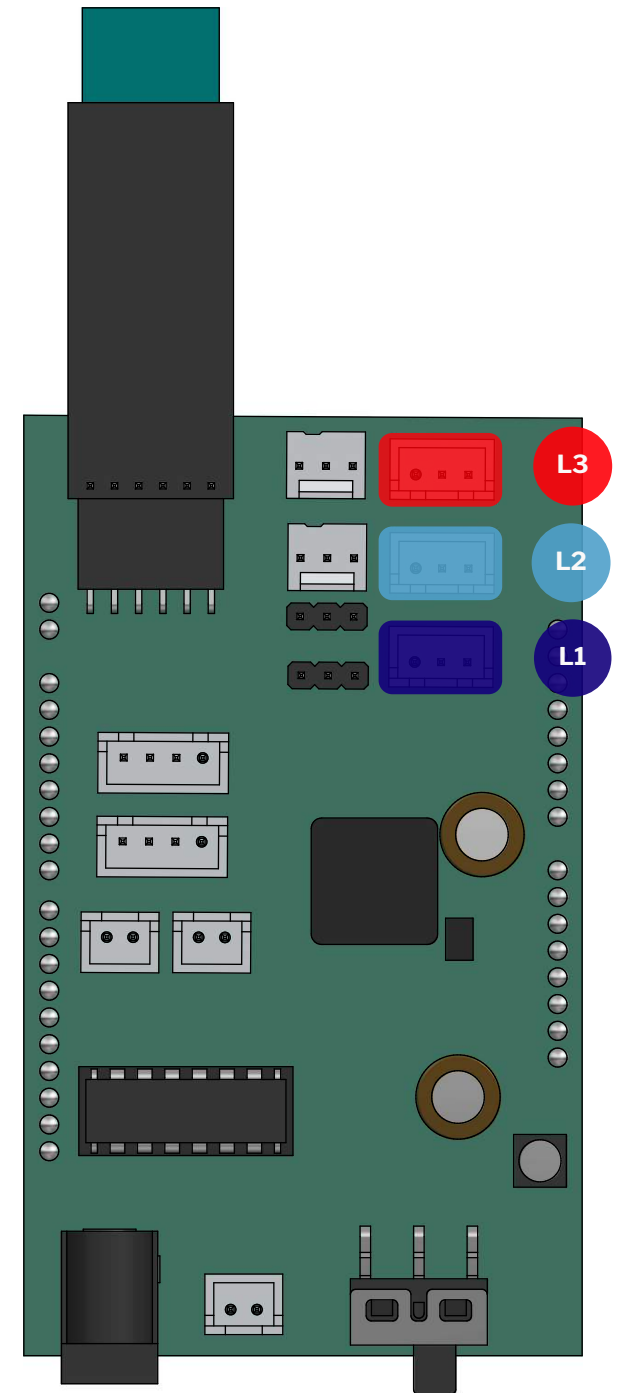
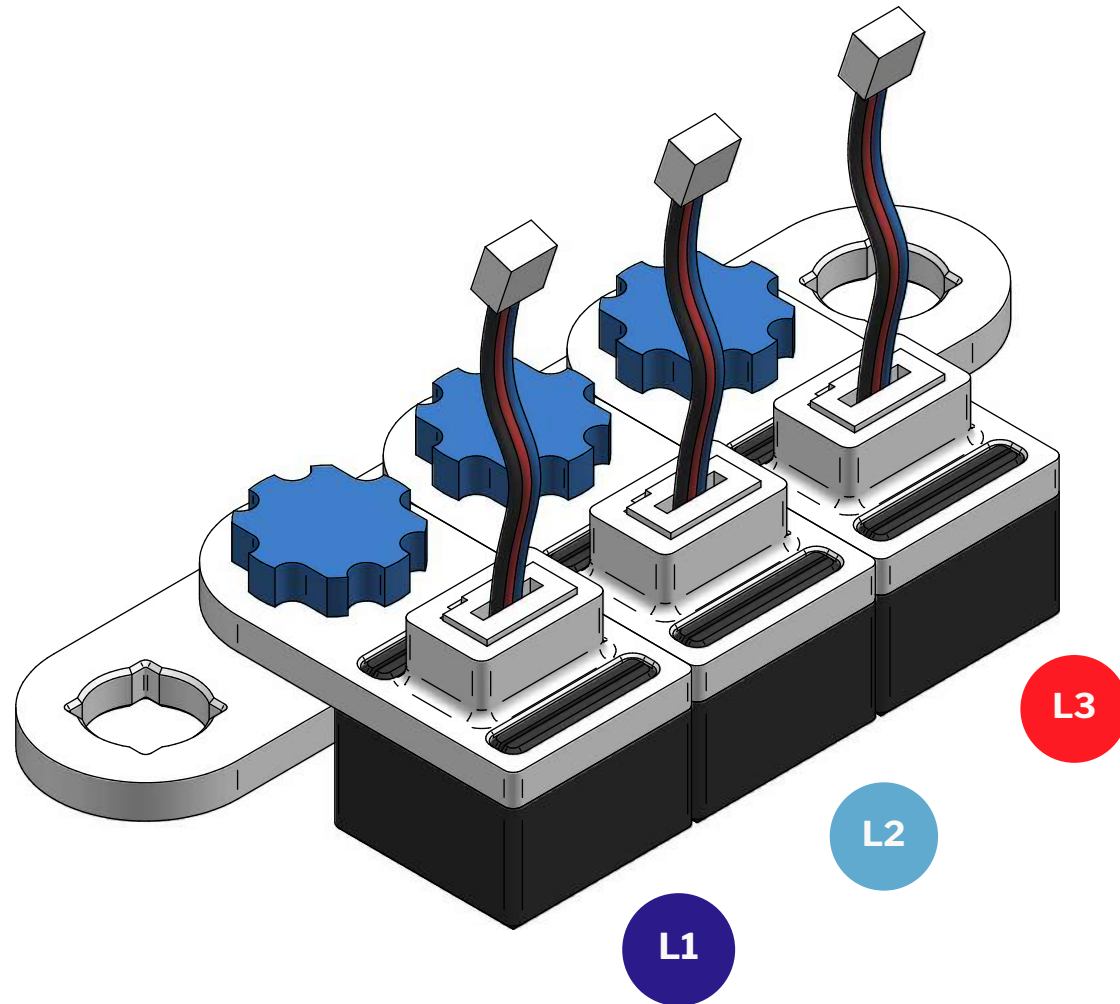
# 24 ELECTRONICS



# Programmable LEDs

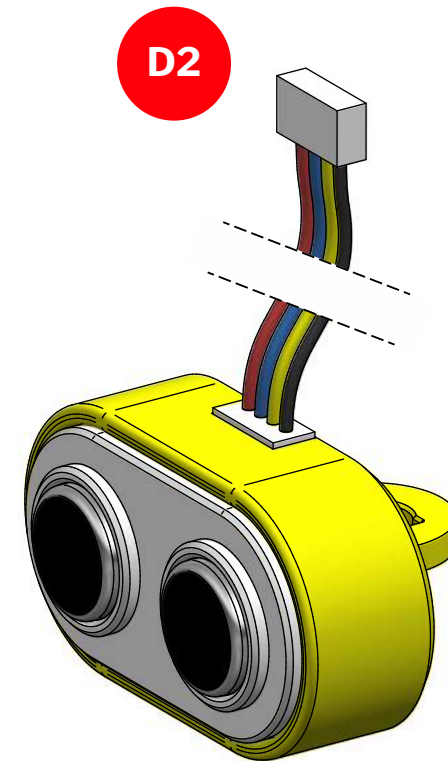
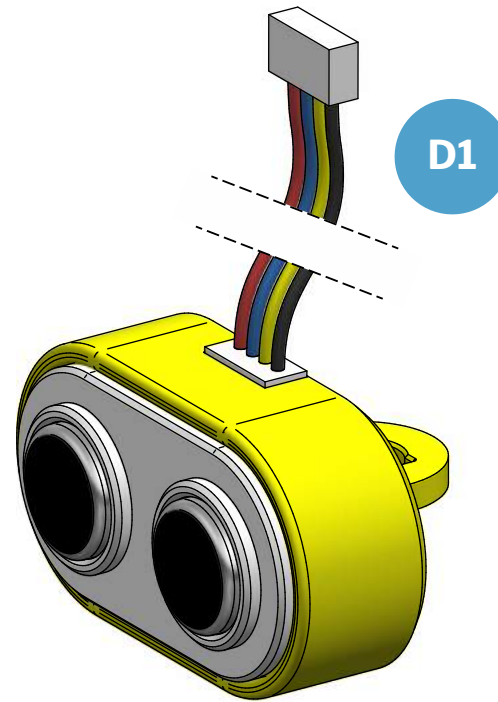
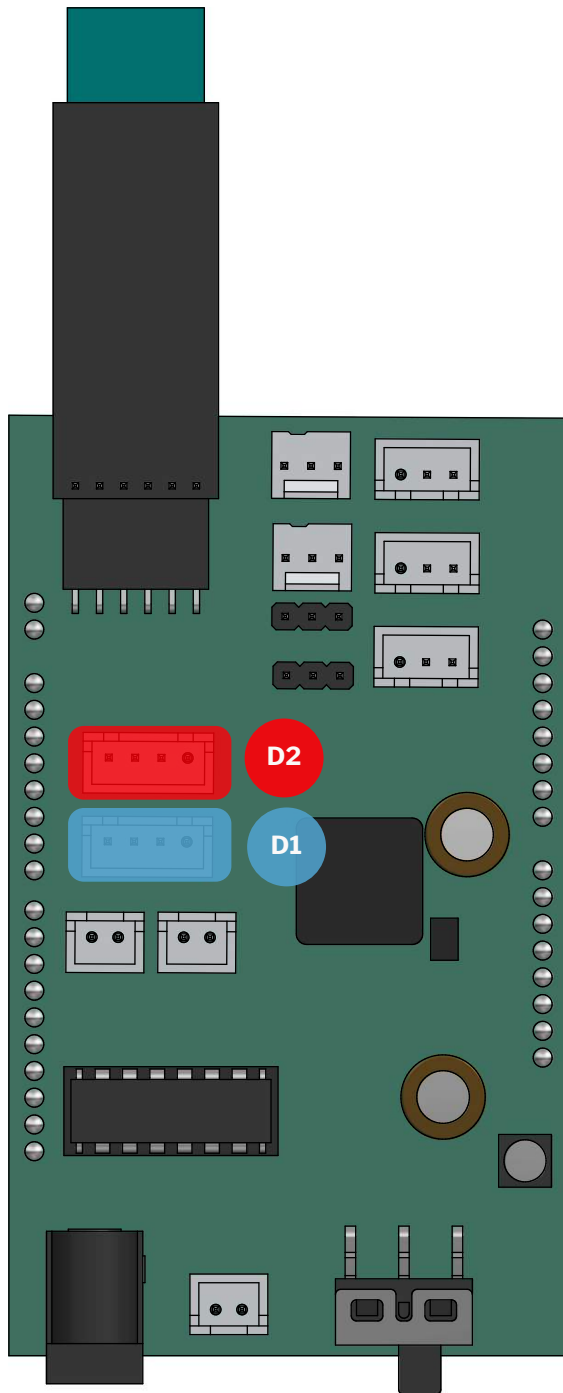


# Contrast sensors

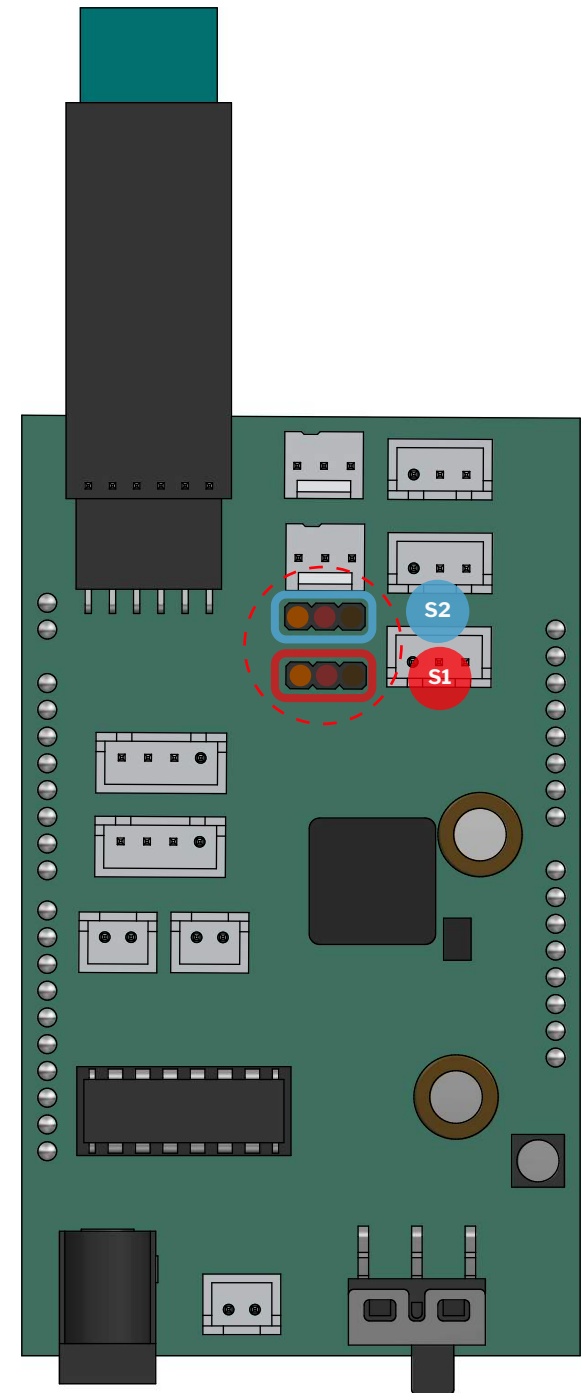
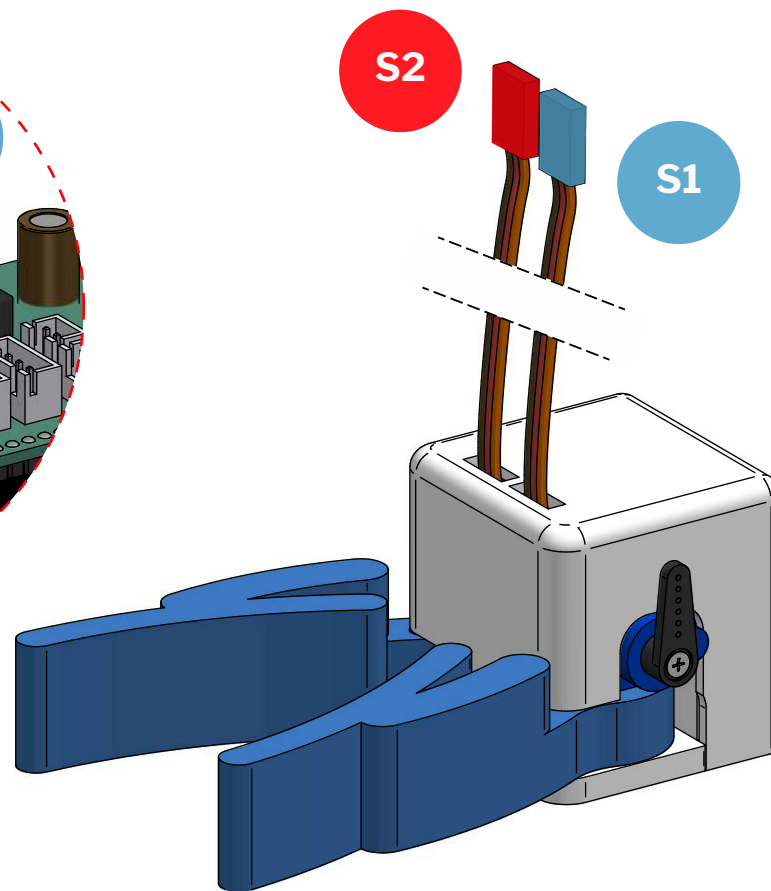
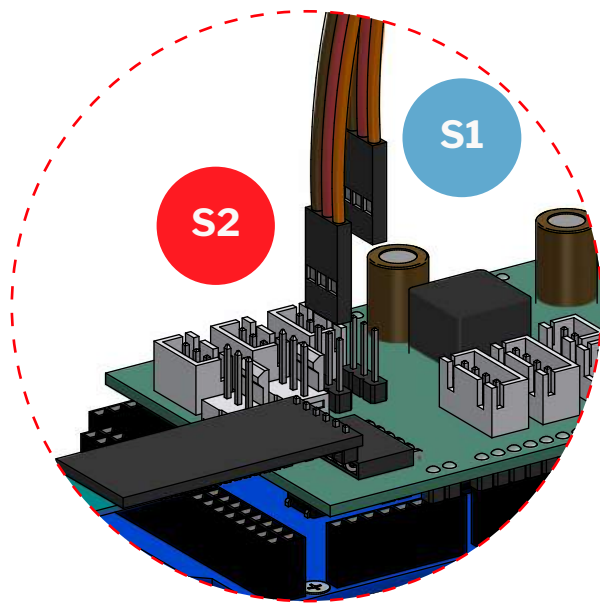




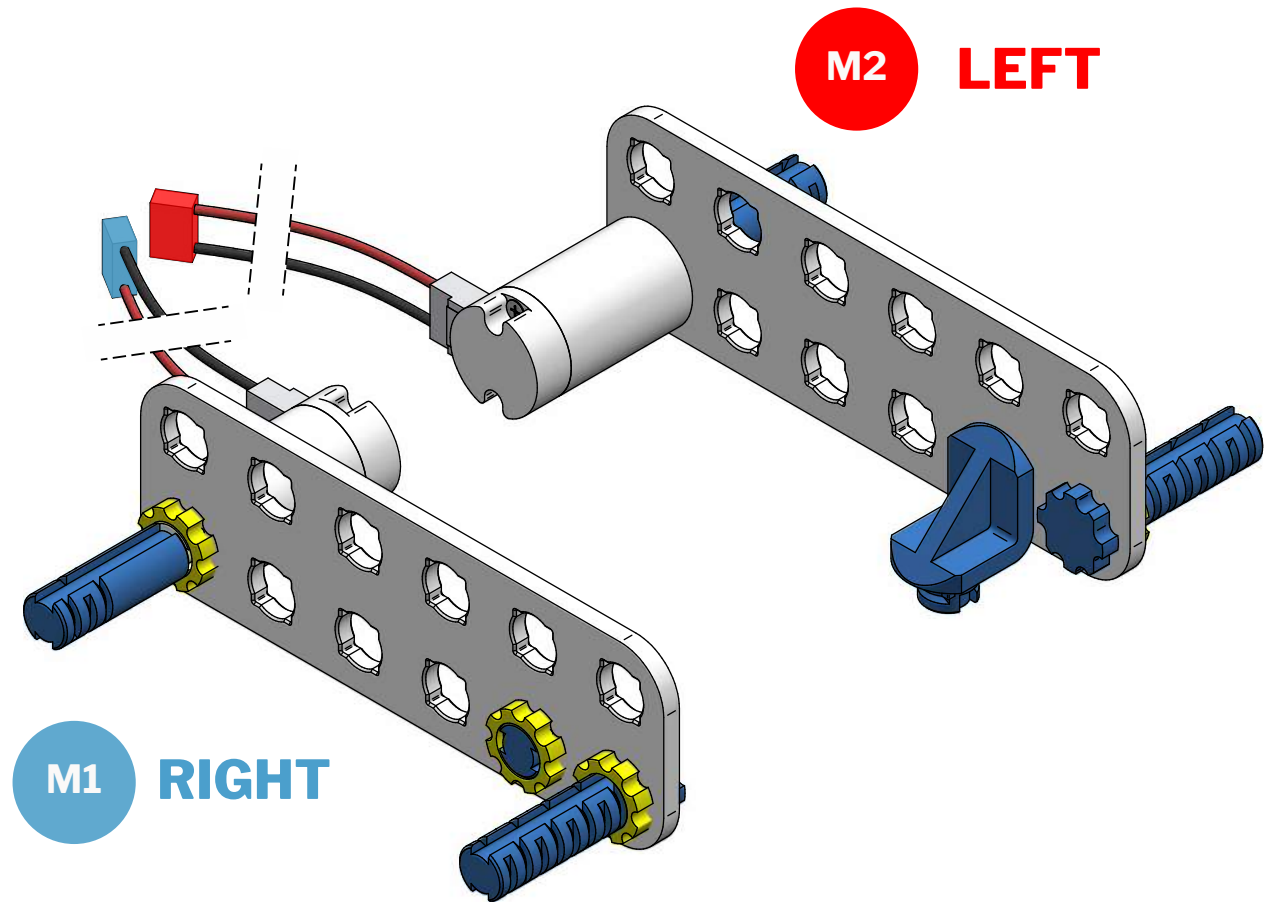
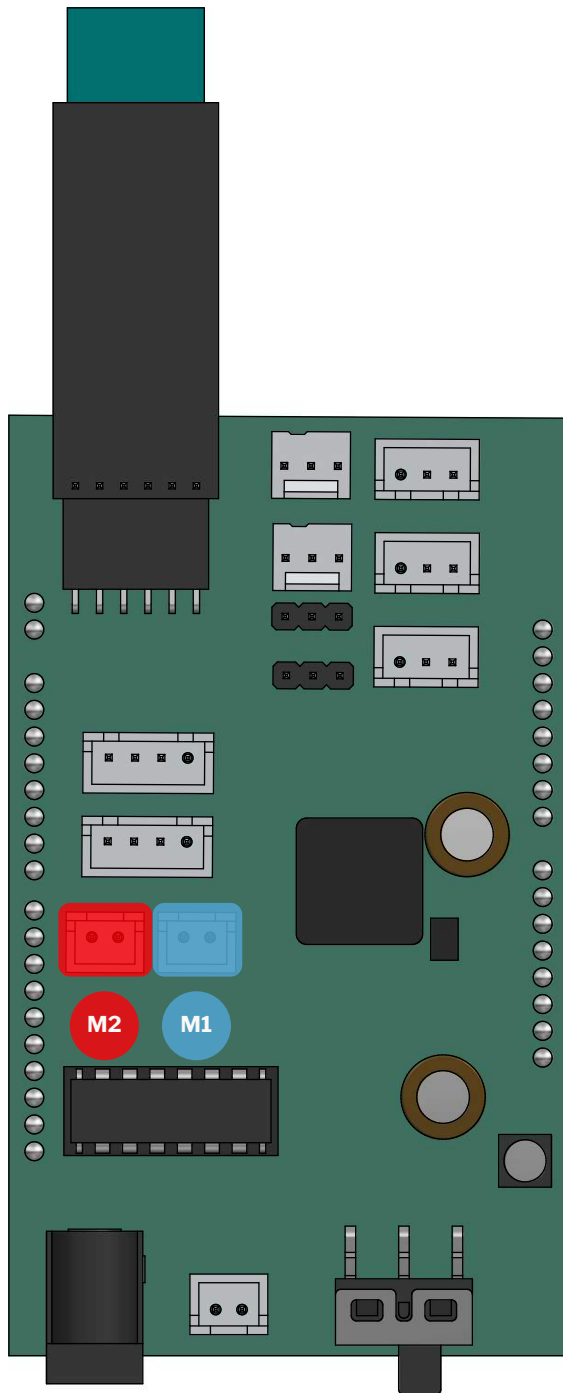
# Distance sensors



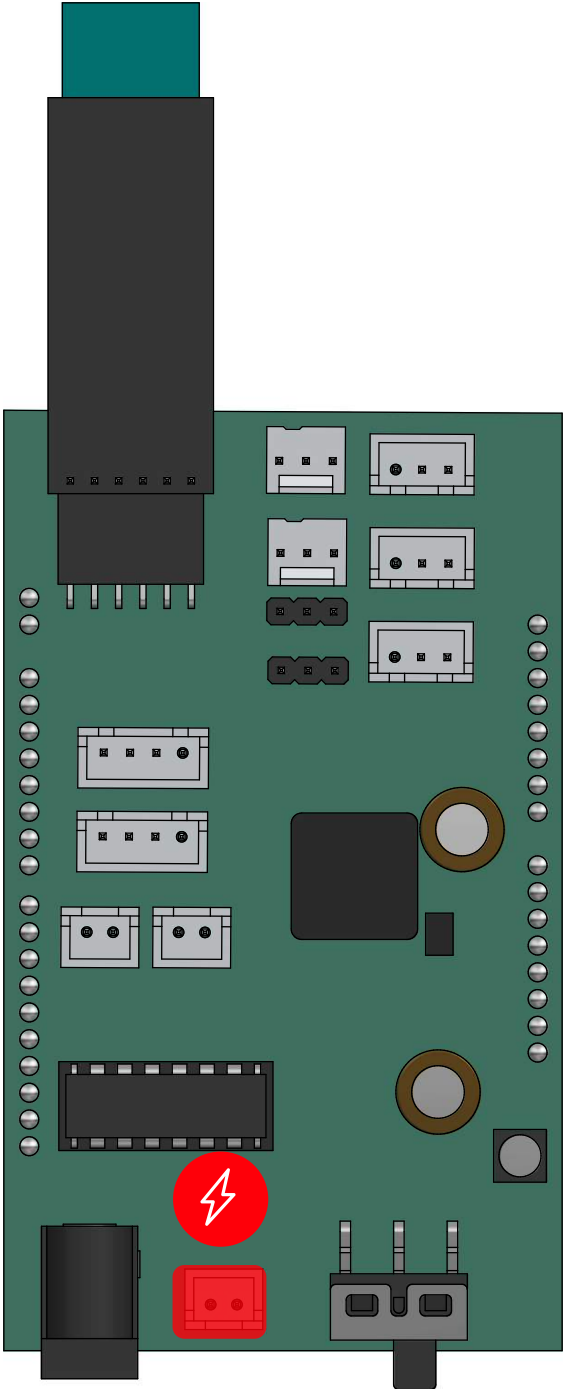
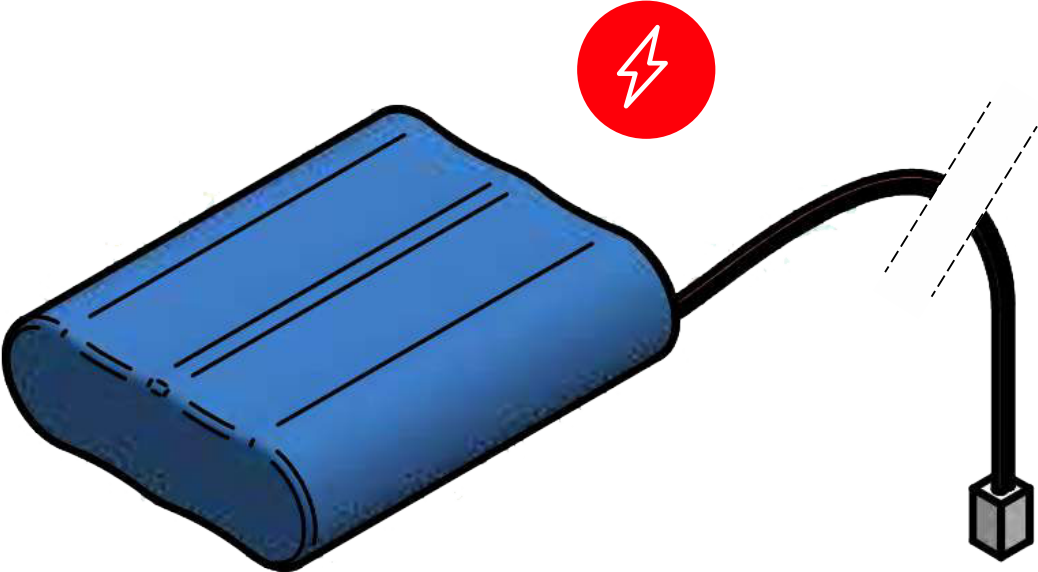
# Gripper



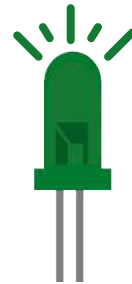
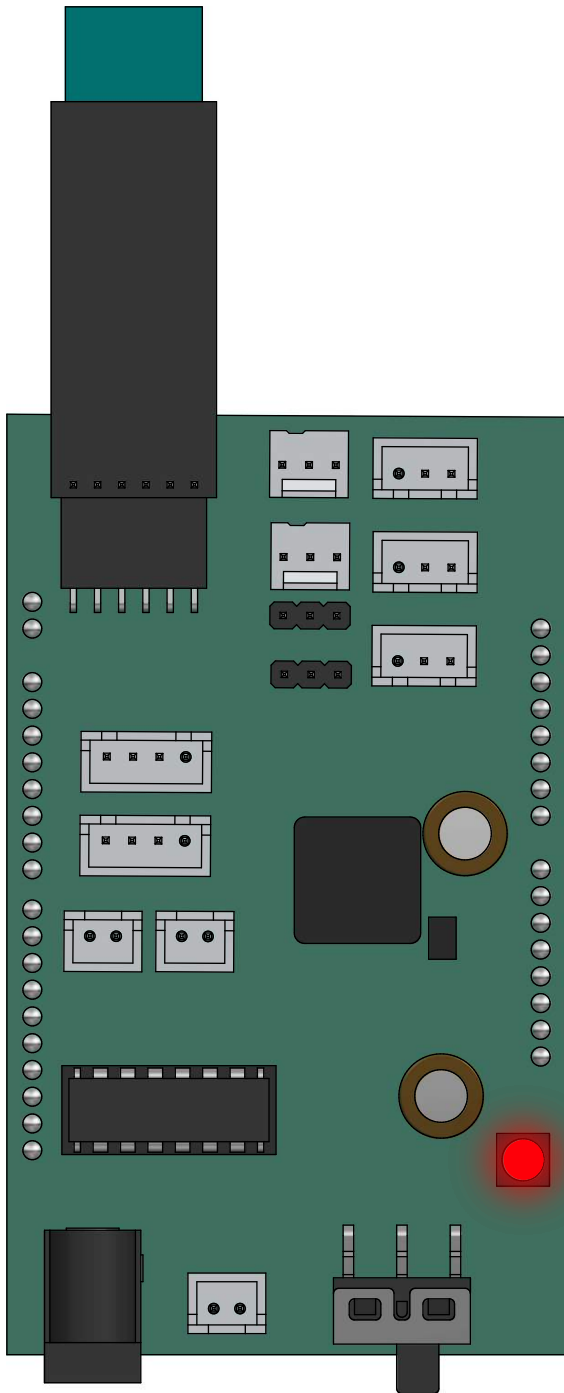
# Motors



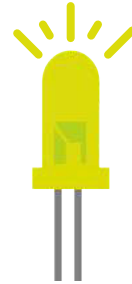
# Battery



# LED



Battery charged

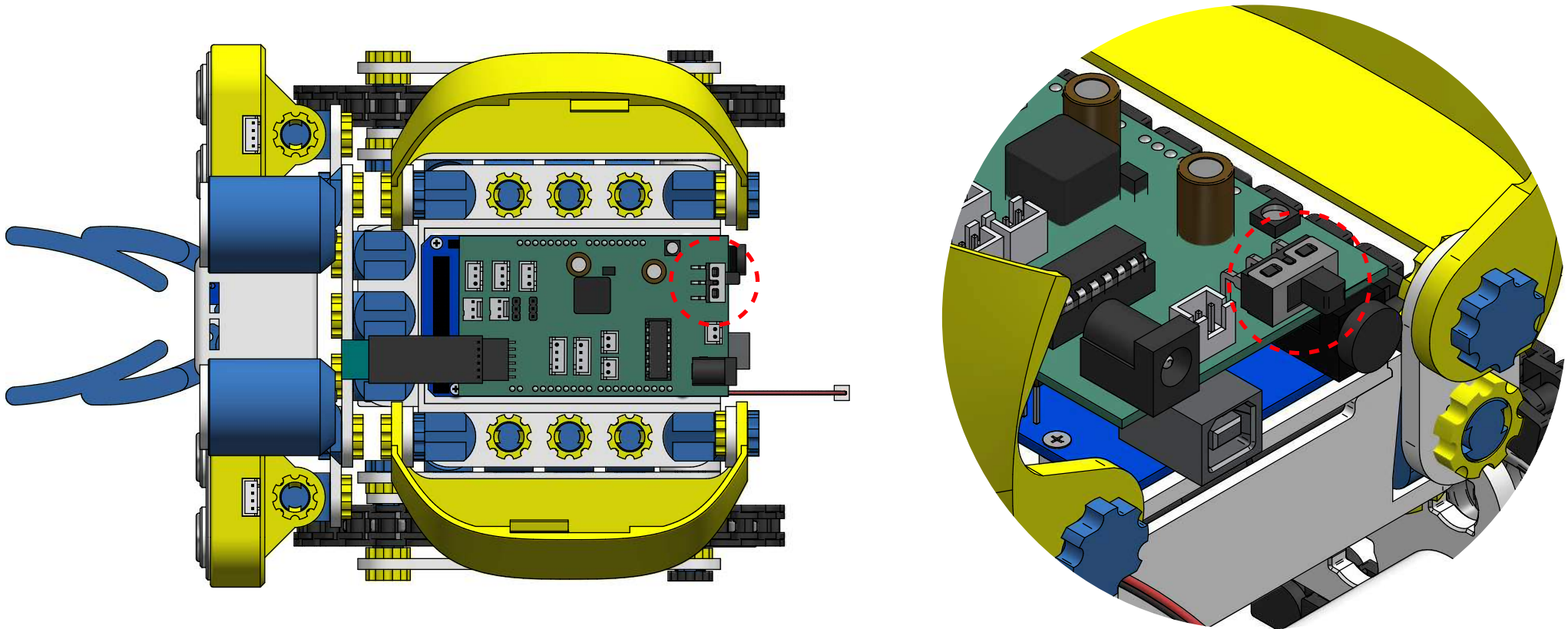


Charge the battery



Battery critical! Charge the battery immediately or you risk damaging it.

## 25 Turn on/off Skribot



After making sure that everything is connected correctly, turn on the Skribot with the toggle marked in the picture. Small diode next to the toggle will turn on, indicating that Skribot has a power supply.

# SKRIBOT

## ASSEMBLY MANUAL

